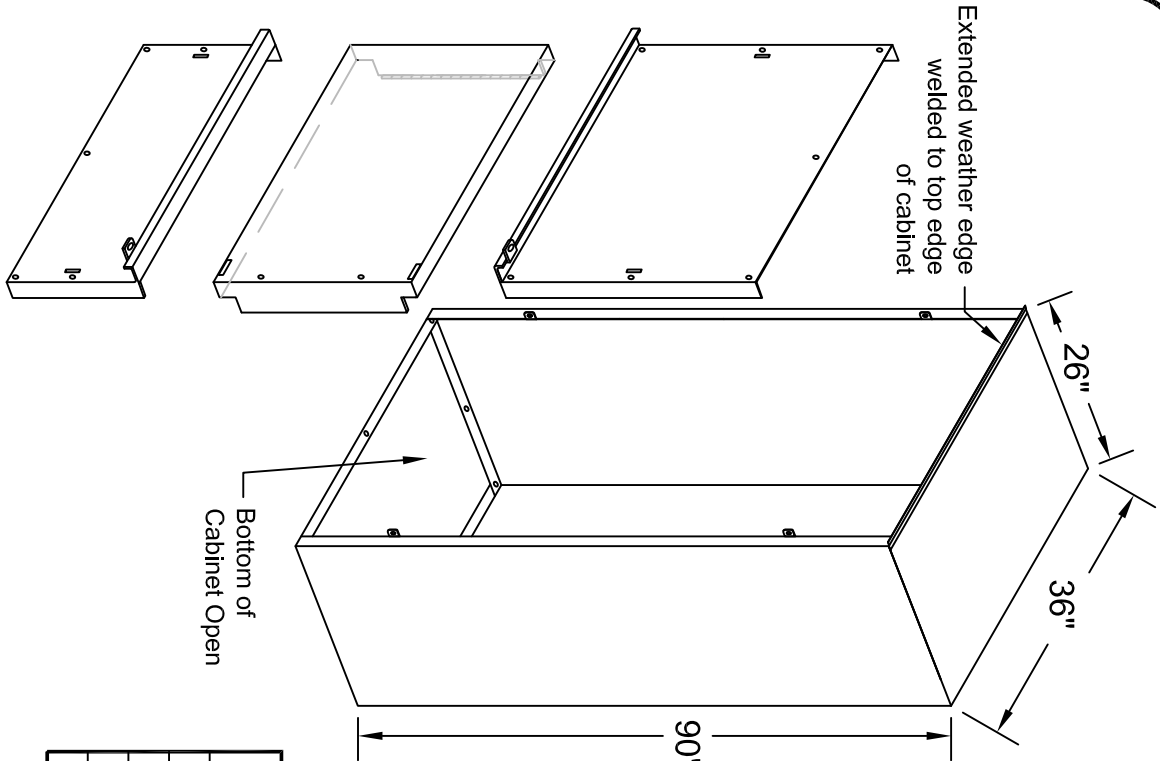


**Pre-Approved PHICT203 Metering Busbar
Construction / 1501-2000 Amp**

PHICT203 3-Phase Metering C/T Cabinet / 1501-2000Amp / NEMA 3R

- C/T cabinets are constructed with all welded seams. Material is 12Ga. galvanealed sheet steel, conforming with ASTM A-653 and Powder Coat, ANSI 61.
- Busbars are fabricated from Silver Plated Copper and aluminum alloy. (Ref. drawing # PHICT-203-3)
- Busbar supports are molded of UL recognized flame resistant fiber glass reinforced compound.
- Cabinets are provided with gasketed removable access panels top and bottom. Mid-section has hinged, gasketed door for access to C/T's. Panels and door are supplied with utility seal tabs.
- PHI C/T cabinets are constructed in accordance with UL and NEMA 3R specifications & PHI drawings 7-5-0606 & 7-5-0695.



Optional kit available, kit provides equal load landings as line side landings

PHICT Part #	AMPERAGE RATING	ENCLOSURE			CT THRU BAR	BUSSING			NO. LANDINGS	
		W	H	D		LINE/LOAD	NEUTRAL	LINE	LOAD	
PHICT153	801-1500	36"	90"	19"	CU- (2) 1/4"x 4"	AL- (2) 1/4"x 4"	AL- (1) 1/4"x 4"	8	4*	
PHICT203	1501-2000	36"	90"	26"	CU- (3) 1/4"x 4"	AL- (3) 1/4"x 4"	AL- (2) 1/4"x 4"	14	14	
PHICT303	2001-3000	36"	90"	26"	CU- (4) 1/4"x 4"	AL- (6) 1/4"x 4"	AL- (2) 1/4"x 4"	14	14	
PHICT403	3001-4000	48"	90"	26"	CU- (4) 1/4"x 5"	AL- (6) 1/4"x 6"	AL- (2) 1/4"x 4"	14	14	

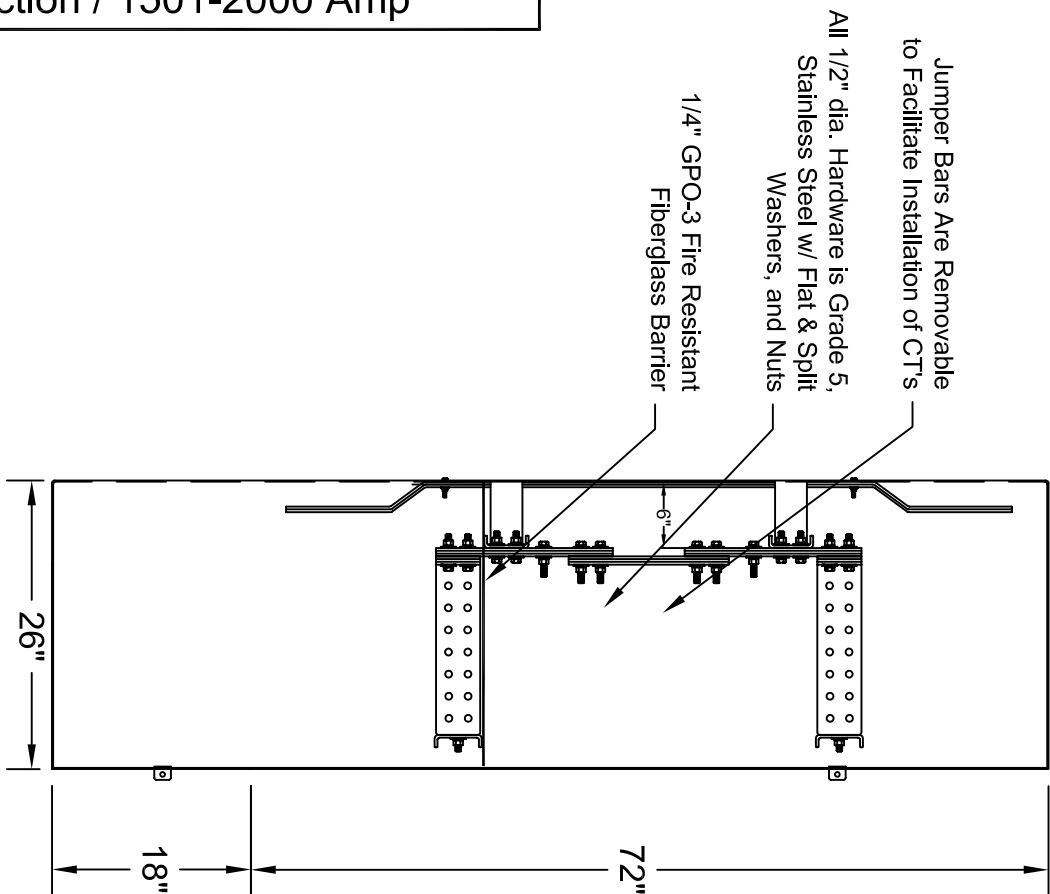
DWG. TITLE:	3-Phase Metering CT Cabinet
DWG. NO.:	NEMA 3R / 2000 Amp PHICT-203-1
MATERIAL:	ASTM A653 Galvanealed
FINISH:	Painted Gray

NOTICE: THIS INFORMATION IS THE PROPERTY OF N.J. SULLIVAN CO. ANY REPRODUCTION, PUBLICATION OR DISTRIBUTION TO A THIRD PARTY IS STRICTLY FORBIDDEN UNLESS WRITTEN PERMISSIONS ARE GIVEN BY AN AUTHORIZED AGENT OF N.J. SULLIVAN CO., INC.			
DFTG.:	CD	DATE:	8/16/11
CHKR.:		DATE:	
REV.:		DATE:	
REV.:		DATE:	

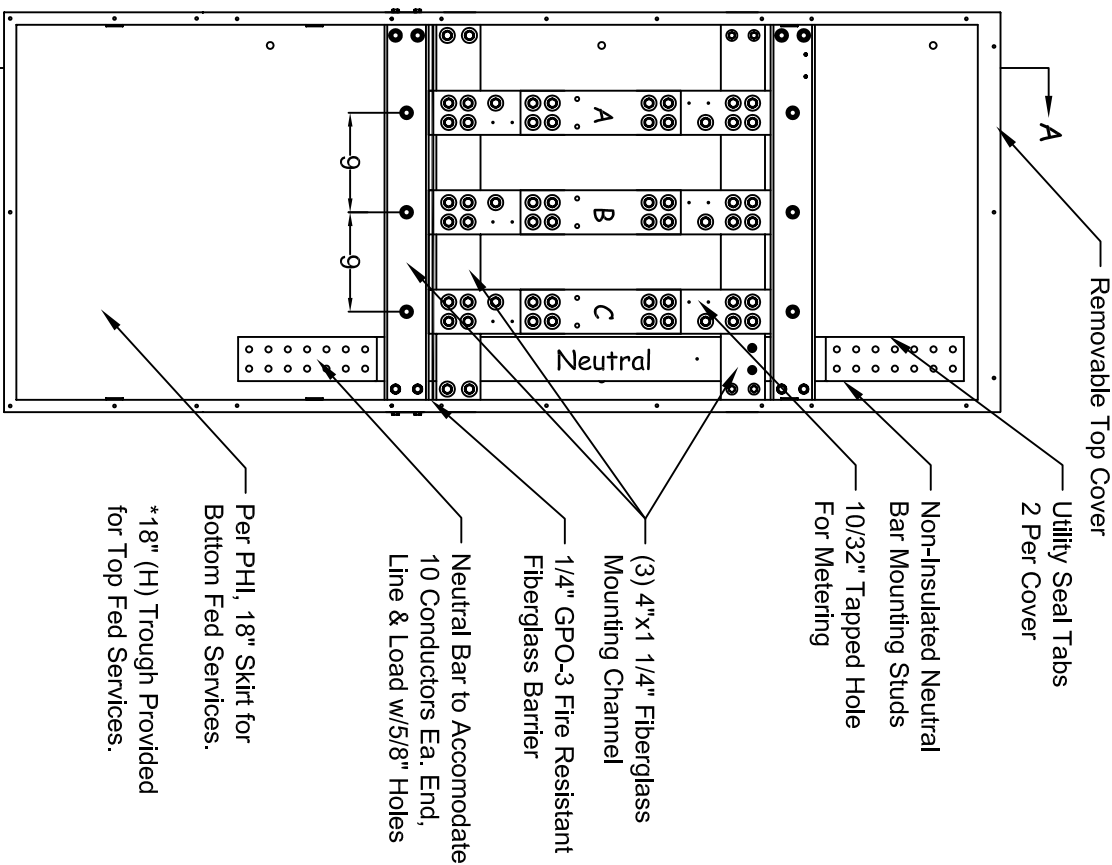


 INCORPORATED
 P.O. BOX 438, STERLING, VIRGINIA 20167
 METAL FABRICATION
 Phone: (703)-464-5944 Fax: (703)-464-5992
 WWW.NJSullivan.com

Pre-Approved PHICT203 Metering Busbar Construction / 1501-2000 Amp



Section A-A



Per PHI, 18" Skirt for Bottom Fed Services.
 *18" (H) Trough Provided for Top Fed Services.

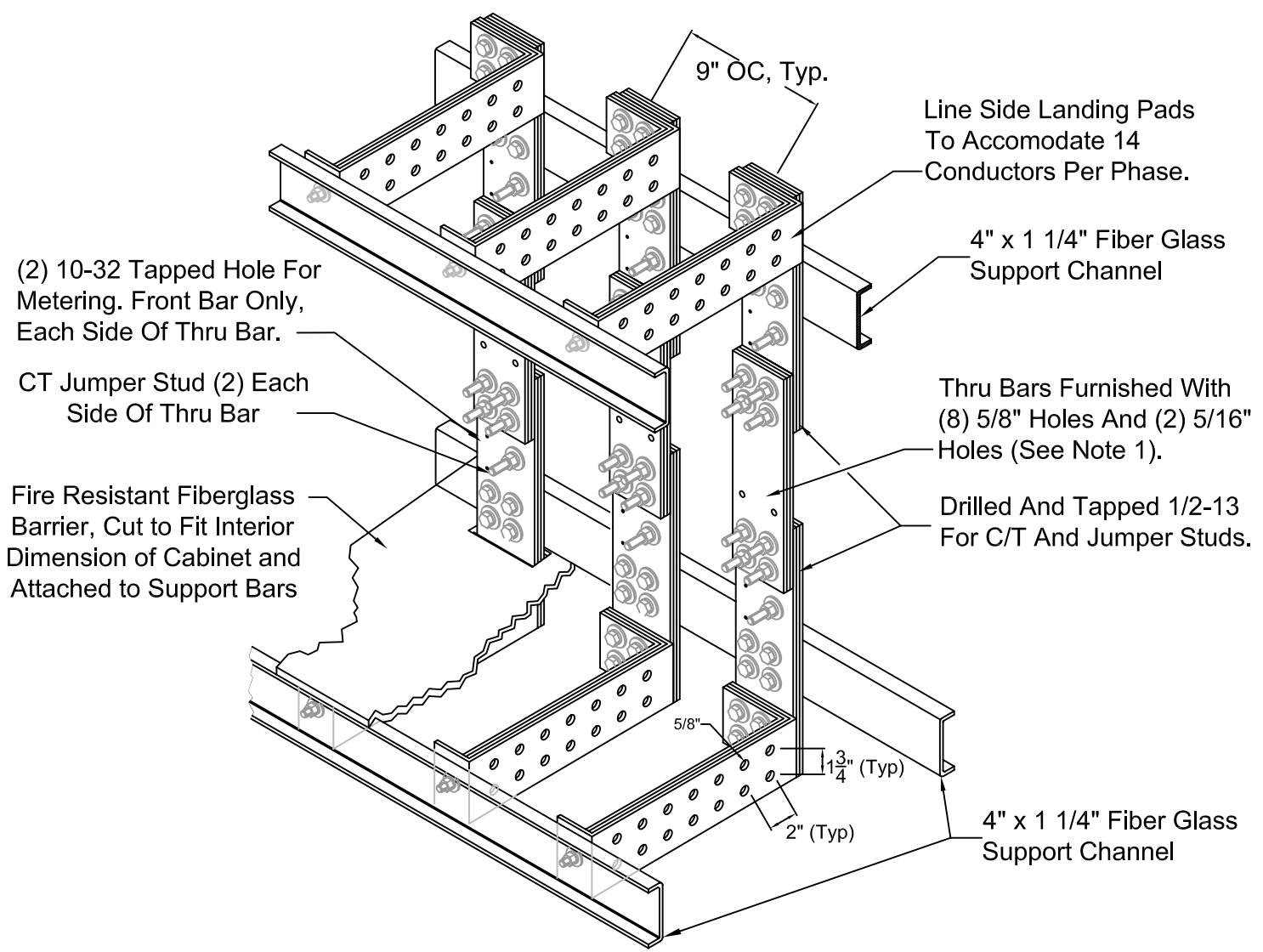
Cabinet with Covers and Door Removed

DWG. TITLE:	3-Phase Metering CT Cabinet
DWG. NO.:	PHICT-203-2
MATERIAL:	ASTM A653 Galvanealed
FINISH:	Painted Gray

NOTICE: THIS INFORMATION IS THE PROPERTY OF N.J. SULLIVAN CO. ANY REPRODUCTION, PUBLICATION OR DISTRIBUTION TO A THIRD PARTY IS STRICTLY FORBIDDEN UNLESS WRITTEN PERMISSIONS ARE GIVEN BY AN AUTHORIZED AGENT OF: N.J. SULLIVAN CO., INC.	
DFTG.:	CD
CHKR.:	DATE: 8/16/11
REV.:	DATE:
REV.:	DATE:
REV.:	DATE:

SULLIVAN Co.
 INCORPORATED
 P.O. BOX 438, STERLING, VIRGINIA 20167
 METAL FABRICATION
 Phone: (703)-464-5944 Fax: (703)-464-5992
 www.njsullivan.com

**Pre-Approved PHICT203 Metering Busbar
Construction / 1501-2000 Amp**



- Notes:**
- 1. Bussing built to UL 1773 & UL 891.**
 - 2. Unless otherwise noted, all hardware to be stainless steel.**
 - 3. Line-Load & Neutral bars furnished as 1/4" thick, 6101-T61 aluminum alloy per ASTM B317.**
CT thru bars are to be 1/4" thick, silver plated copper bar.
 - 4. 1/4" GPO-3 Fiberglass barrier mounted above 'line' landings.**

DWG. TITLE:	PHI Metering Busbar Construction / 1501-2000 Amp
DWG. NO.:	PHICT-203-3
MATERIAL:	As Noted
FINISH:	N/A

NOTICE: THIS INFORMATION IS THE PROPERTY OF N.J. SULLIVAN CO., ANY REPRODUCTION, PUBLICATION OR DISTRIBUTION TO A THIRD PARTY IS STRICTLY FORBIDDEN UNLESS WRITTEN PERMISSIONS ARE GIVEN BY AN AUTHORIZED AGENT OF: N.J. SULLIVAN CO., INC.		
DFTG.:	CD	DATE: 8/16/11
CHKR.:		DATE:
REV.:		DATE:
REV.:		DATE:
REV.:		DATE:


SULLIVAN Co.
 INCORPORATED
 P.O. BOX 438, STERLING, VIRGINIA 20167
 METAL FABRICATION
 Phone: (703)-464-5944 Fax: (703)-464-5992
www.njsullivan.com