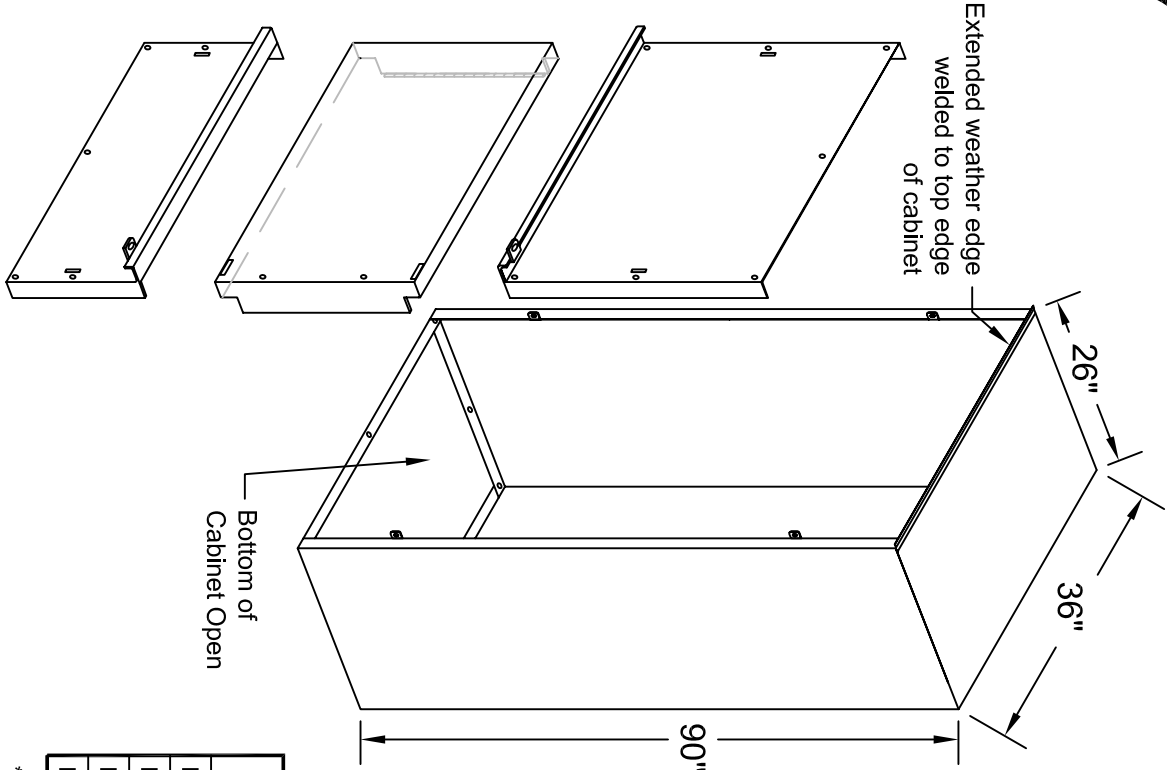


**Pre-Approved PHICT203 Metering Busbar  
Construction / 1501-2000 Amp**

**PHICT203 3-Phase Metering C/T Cabinet / 1501-2000Amp / NEMA 3R**



- C/T cabinets are constructed with all welded seams. Material is 12Ga. galvanealed sheet steel, conforming with ASTM A-653 and Powder Coat, ANSI 61.
- Busbars are fabricated from Silver Plated Copper and aluminum alloy. (Ref. drawing # PHICT-203-3)
- Busbar supports are molded of UL recognized flame resistant fiber glass reinforced compound.
- Cabinets are provided with gasketed removable access panels top and bottom. Mid-section has hinged, gasketed door for access to C/T's. Panels and door are supplied with utility seal tabs.
- PHI C/T cabinets are constructed in accordance with UL and NEMA 3R specifications & PHI drawings 7-5-0606 & 7-5-0695.

PHICT Part #	AMPERAGE RATING	ENCLOSURE			CT THRU BAR	BUSSING			NO. LANDINGS	
		W	H	D		LINE/LOAD	NEUTRAL	LINE	LOAD	
PHICT153	801-1500	36"	72"	19"	CU-(2) 1/4"x 4"	AL-(2) 1/4"x 4"	AL-(1) 1/4"x 4"	8	4*	
PHICT203	1501-2000	36"	72"	26"	CU-(3) 1/4"x 4"	AL-(3) 1/4"x 4"	AL-(2) 1/4"x 4"	14	14	
PHICT303	2001-3000	36"	72"	26"	CU-(4) 1/4"x 4"	AL-(6) 1/4"x 4"	AL-(2) 1/4"x 4"	14	14	
PHICT403	3001-4000	48"	72"	26"	CU-(4) 1/4"x 5"	AL-(6) 1/4"x 6"	AL-(2) 1/4"x 4"	14	14	

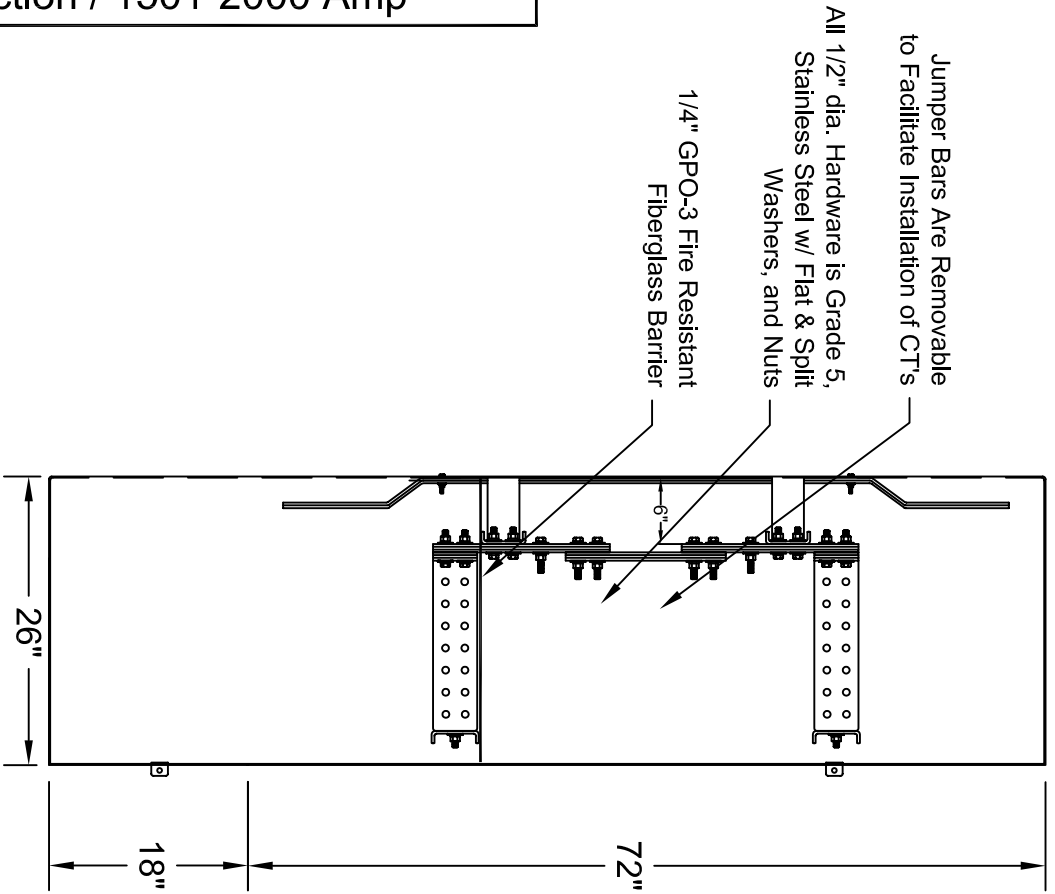
\*Optional kit available, kit provides equal load landings as line side landings\*

DWG. TITLE:	3-Phase Metering CT Cabinet
DWG. NO.:	NEMA 3R / 2000 Amp
MATERIAL:	PHICT-203-1
FINISH:	Painted Gray

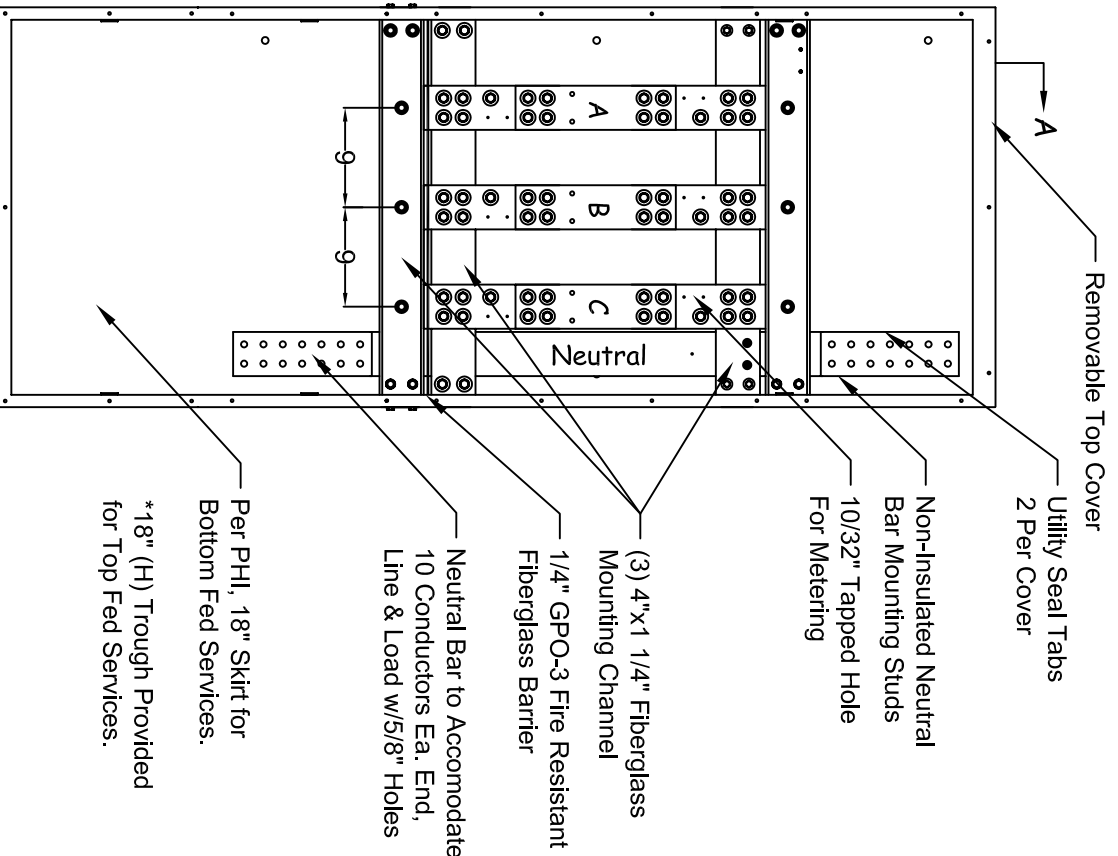
NOTICE: THIS INFORMATION IS THE PROPERTY OF N.J. SULLIVAN CO. ANY REPRODUCTION, PUBLICATION OR DISTRIBUTION TO A THIRD PARTY IS STRICTLY FORBIDDEN UNLESS WRITTEN PERMISSIONS ARE GIVEN BY AN AUTHORIZED AGENT OF: N.J. SULLIVAN CO., INC.	
DFTG.:	CD
DATE:	8/16/11
CHKR.:	
DATE:	
REV.:	
DATE:	

  
 INCORPORATED  
 P.O. BOX 438, STERLING, VIRGINIA 20167  
 METAL FABRICATION  
 Phone: (703)-464-5944 Fax: (703)-464-5992  
 www.njsullivan.com

# Pre-Approved PHICT203 Metering Busbar Construction / 1501-2000 Amp



**Section A-A**



**Cabinet with Covers  
and Door Removed**

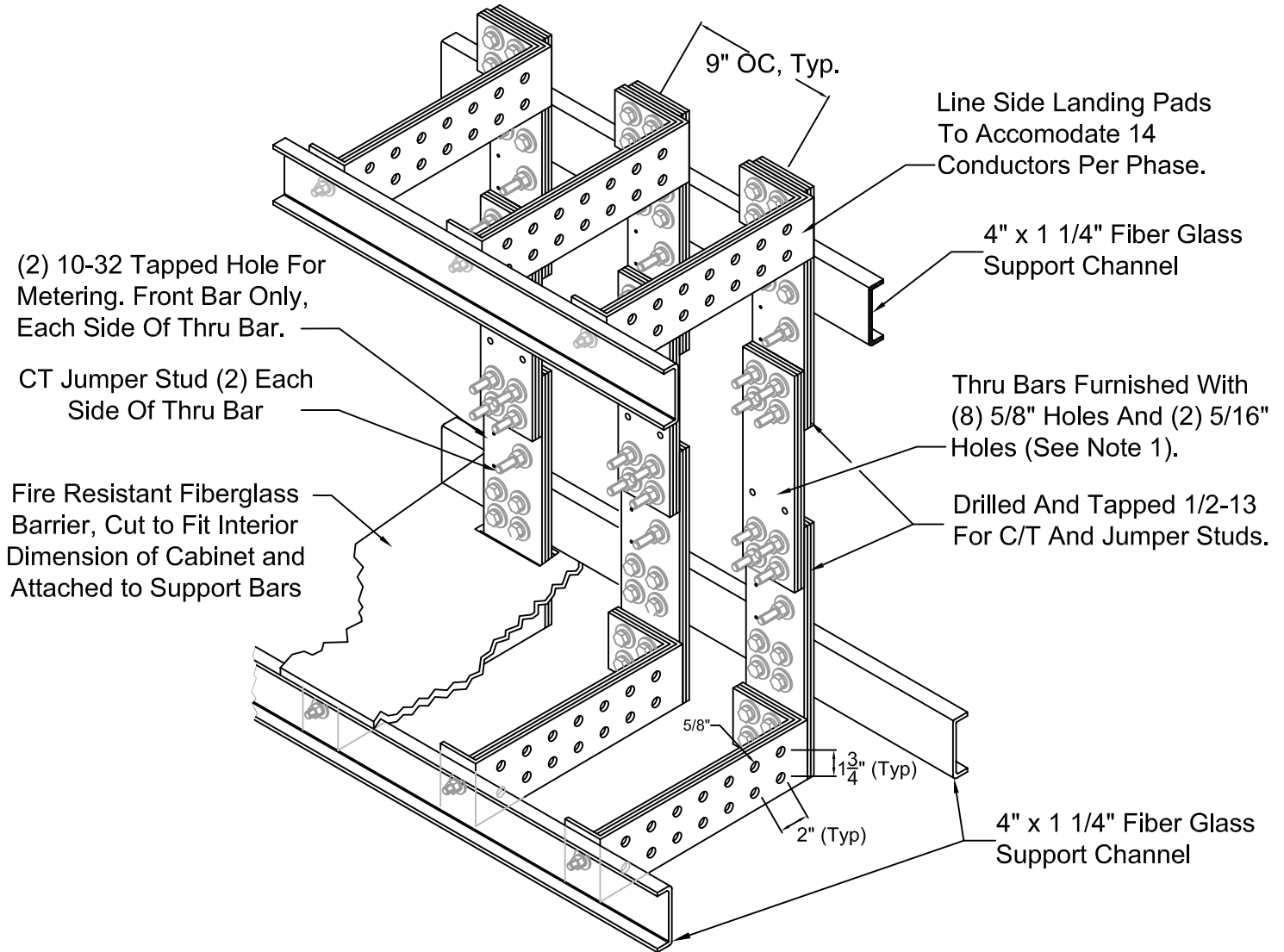
DWG. TITLE:	3-Phase Metering CT Cabinet
DWG. NO.:	PHICT-203-2
MATERIAL:	ASTM A653 Galvanealed
FINISH:	Painted Gray
NEMA 1 / 2000 Amp	

NOTICE: THIS INFORMATION IS THE PROPERTY OF N.J. SULLIVAN CO. ANY REPRODUCTION, PUBLICATION OR DISTRIBUTION TO A THIRD PARTY IS STRICTLY FORBIDDEN UNLESS WRITTEN PERMISSIONS ARE GIVEN BY AN AUTHORIZED AGENT OF: N.J. SULLIVAN CO., INC.			
DFTG.:	CD	DATE:	8/16/11
CHKR.:		DATE:	
REV.:		DATE:	
REV.:		DATE:	

**SULLIVAN Co.**  
INCORPORATED  
P.O. BOX 438, STERLING, VIRGINIA 20167  
METAL FABRICATION  
Phone: (703)-464-5944 Fax: (703)-464-5992  
www.njsullivan.com

Per PHI, 18" Skirt for Bottom Fed Services.  
\*18" (H) Trough Provided for Top Fed Services.

**Pre-Approved PHICT203 Metering Busbar  
Construction / 1501-2000 Amp**



**Notes:**

1. Bussing built to UL 1773 & UL 891.
2. Unless otherwise noted, all hardware to be stainless steel.
3. Line-Load & Neutral bars furnished as 1/4" thick, 6101-T61 aluminum alloy per ASTM B317.  
CT thru bars are to be 1/4" thick, silver plated copper bar.
4. 1/4" GPO-3 Fiberglass barrier mounted above 'line' landings.

DWG. TITLE:	PHI Metering Busbar Construction / 1501-2000 Amp
DWG. NO.:	PHICT-203-3
MATERIAL:	As Noted
FINISH:	N/A

NOTICE: THIS INFORMATION IS THE PROPERTY OF N.J. SULLIVAN CO., ANY REPRODUCTION, PUBLICATION OR DISTRIBUTION TO A THIRD PARTY IS STRICTLY FORBIDDEN UNLESS WRITTEN PERMISSIONS ARE GIVEN BY AN AUTHORIZED AGENT OF: N.J. SULLIVAN CO., INC.		
DFTG.:	CD	DATE: 8/16/11
CHKR.:		DATE:
REV.:		DATE:
REV.:		DATE:
REV.:		DATE:

  
**SULLIVAN Co.**  
 INCORPORATED  
 P.O. BOX 438, STERLING, VIRGINIA 20167  
 METAL FABRICATION  
 Phone: (703)-464-5944 Fax: (703)-464-5992  
[www.njsullivan.com](http://www.njsullivan.com)