

**PHICT153 3-Phase Metering C/T Cabinet / 801-1500Amp / NEMA 3R**

- C/T cabinets are constructed with all welded seams. Material is 12Ga. galvanealed sheet steel, conforming with ASTM A-653 and Powder Coat, ANSI 61.
- Busbars are fabricated from Silver Plated Copper and aluminum alloy. (Ref. drawing # PHICT-153-3)
- Busbar supports are molded of UL recognized flame resistant fiber glass reinforced compound.
- Cabinets are provided with gasketed removable access panels top and bottom. Mid-section has hinged, gasketed door for access to C/T's. Panels and door are supplied with utility seal tabs.
- PHI C/T cabinets are constructed in accordance with UL and NEMA 3R specifications & PHI drawings 7-5-0606 & 7-5-0695.

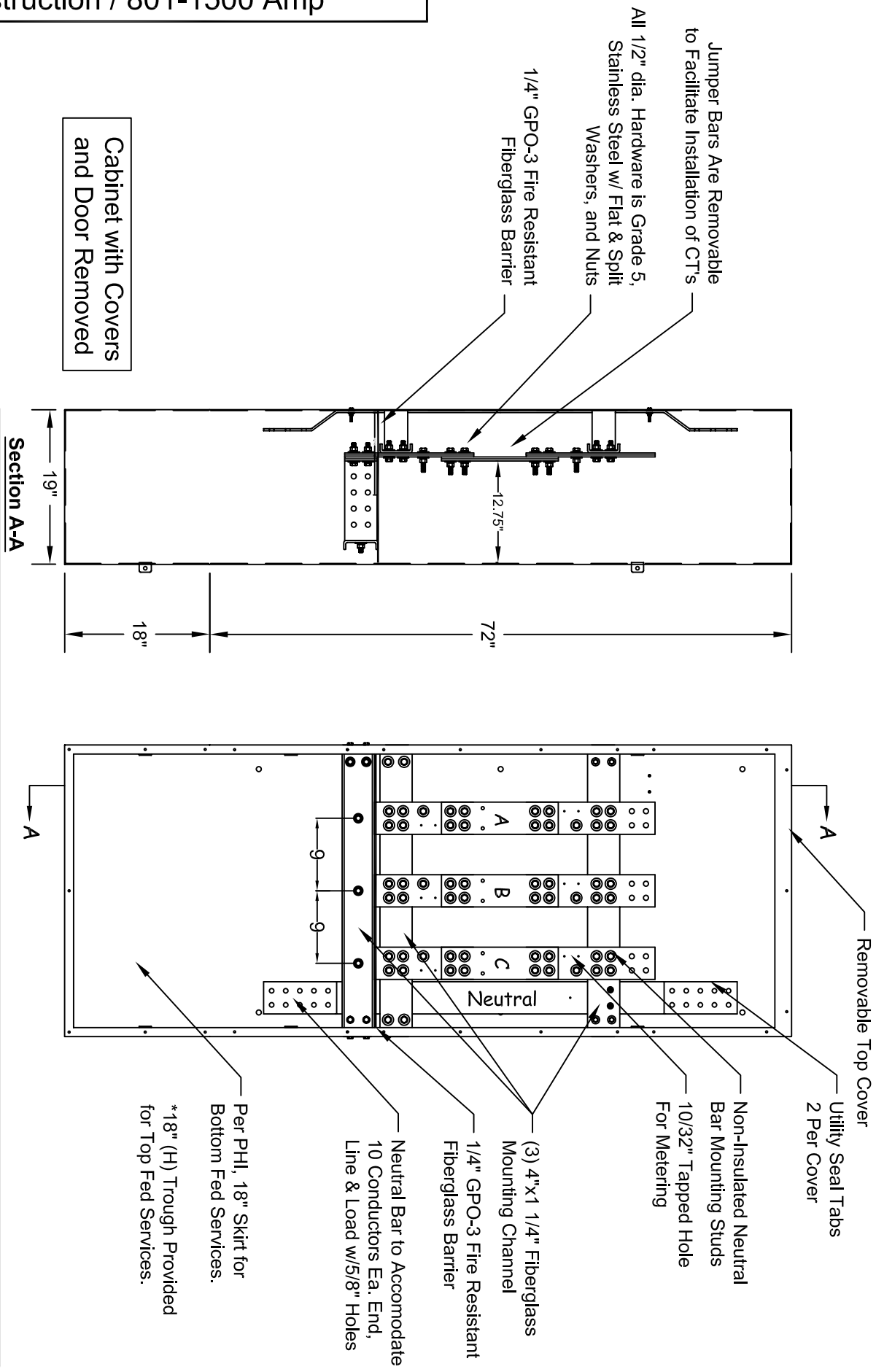
AMPERAGE RATING	ENCLOSURE			NO. LANDINGS
	W	H	D	LINE
801-1500	36"	90"	19"	
1501-2000	36"	90"	26"	
2001-3000	36"	90"	26"	
3001-4000	48"	90"	26"	C J

DWG. TITLE:	3-Phase Metering CT Cabinet
DWG. NO.:	NEMA 3R / 1500 Amp
MATERIAL:	PHICT-153-1
FINISH:	ASTM A653 Galvanealed
	Painted Gray

NOTICE:	
THIS INFORMATION IS THE PROPERTY OF N.J. SULLIVAN CO., ANY REPRODUCTION, PUBLICATION OR DISTRIBUTION TO A THIRD PARTY, IS STRICTLY FORBIDDEN UNLESS PERMITTED BY AN AUTHORIZED AGENT OF N.J. SULLIVAN CO., INC.	
DFTG.:	CD
CHKR.:	DATE: 8/16/11
REV.:	DATE:
REV.:	DATE:
REV.:	DATE:


  
 INCORPORATED  
 P.O. BOX 438, STERLING, VIRGINIA 20167  
 METAL FABRICATION  
 Phone: (703)-464-5944 Fax: (703)-464-5992  
 www.njsullivan.com

# Pre-Approved PHICT153 Metering Busbar Construction / 801-1500 Amp



Cabinet with Covers  
and Door Removed

Section A-A

DWG. TITLE:	3-Phase Metering CT Cabinet
DWG. NO.:	PHICT-153-2
MATERIAL:	ASTM A653 Galvanealed
FINISH:	Painted Gray

NOTICE: THIS INFORMATION IS THE PROPERTY OF N.J. SULLIVAN CO. ANY REPRODUCTION, PUBLICATION OR DISTRIBUTION TO A THIRD PARTY IS STRICTLY FORBIDDEN UNLESS WRITTEN PERMISSIONS ARE GIVEN BY AN AUTHORIZED AGENT OF: N.J. SULLIVAN CO., INC.	
DFTG.:	CD
CHKR.:	
REV.:	
REV.:	
REV.:	
DATE:	8/16/11

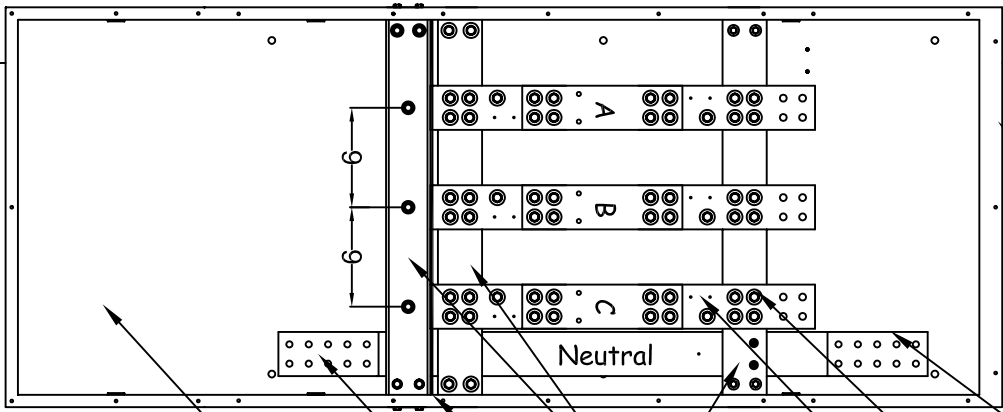
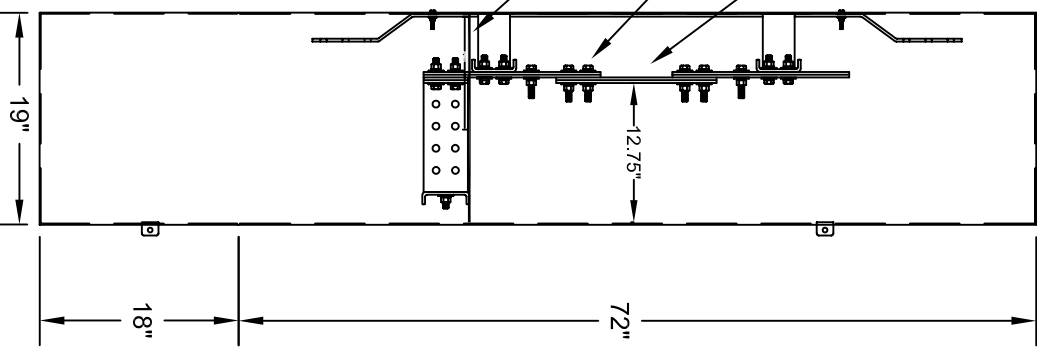
**SULLIVAN Co.**  
INCORPORATED  
P.O. BOX 438, STERLING, VIRGINIA 20167  
METAL FABRICATION  
Phone: (703)-464-5944 Fax: (703)-464-5992  
www.njsullivan.com

Per PH1, 18" Skirt for  
Bottom Fed Services.  
\*18" (H) Trough Provided  
for Top Fed Services.

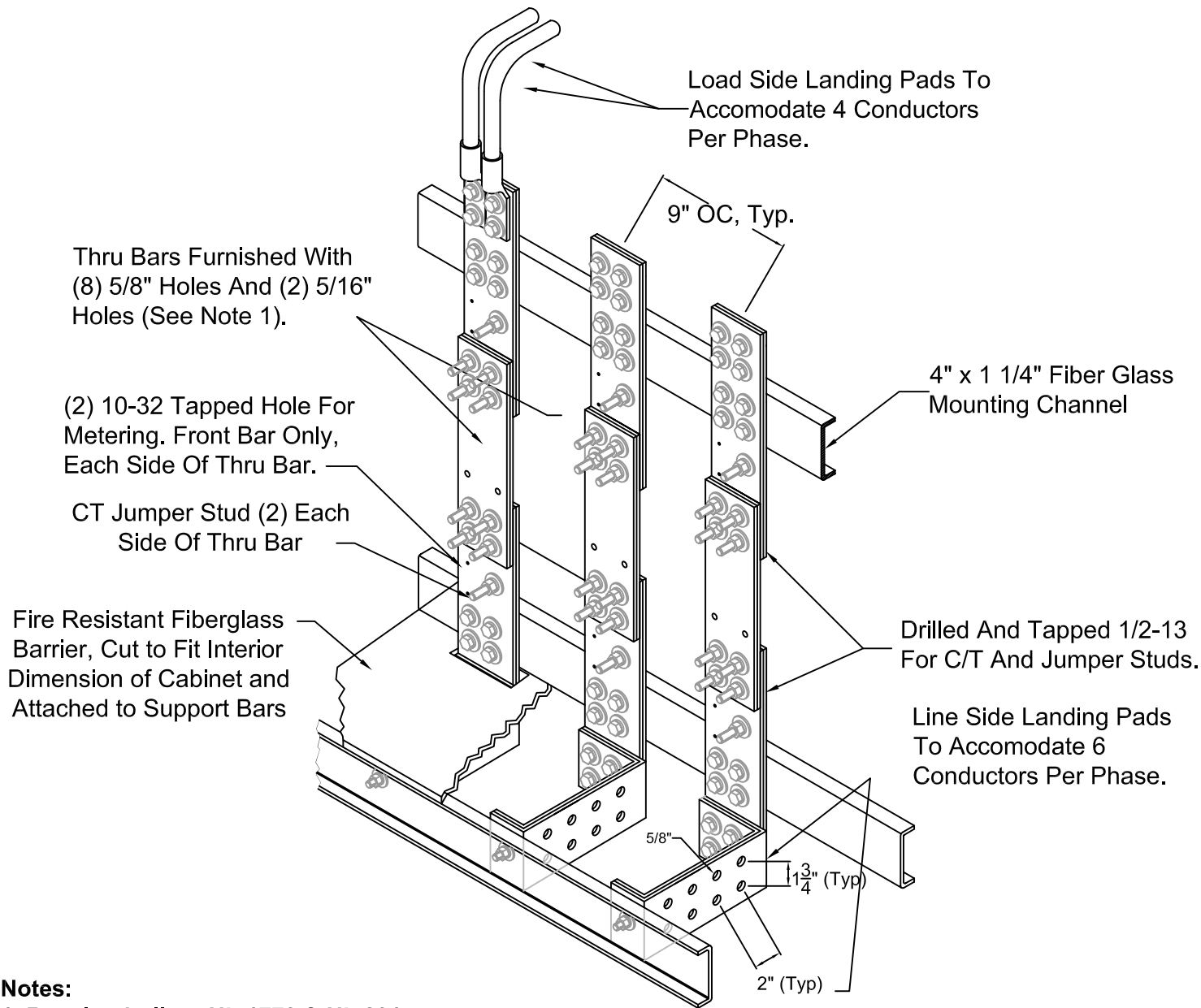
Removable Top Cover  
Utility Seal Tabs  
2 Per Cover  
Non-Insulated Neutral  
Bar Mounting Studs  
10/32" Tapped Hole  
For Metering  
(3) 4"x1 1/4" Fiberglass  
Mounting Channel  
1/4" GPO-3 Fire Resistant  
Fiberglass Barrier  
Neutral Bar to Accommodate  
10 Conductors Ea, End,  
Line & Load w/5/8" Holes

Jumper Bars Are Removable  
to Facilitate Installation of CT's  
All 1/2" dia. Hardware is Grade 5,  
Stainless Steel w/ Flat & Split  
Washers, and Nuts

1/4" GPO-3 Fire Resistant  
Fiberglass Barrier



**Pre-Approved PHICT153 Metering Busbar  
Construction / 801-1500 Amp**



**Notes:**

1. Bussing built to UL 1773 & UL 891.
2. Unless otherwise noted, all hardware to be stainless steel.
3. Line-Load & Neutral bars furnished as 1/4" thick, 6101-T61 aluminum alloy per ASTM B317.  
CT thru bars are to be 1/4" thick, silver plated copper bar.
4. 1/4" GPO-3 Fiberglass barrier mounted above 'line' landings.
5. Optional landing kit available, kit provides equal load landings as line side landings.

DWG. TITLE:	PHI Metering Busbar Construction / 801-1500 Amp
DWG. NO.:	PHICT-153-3
MATERIAL:	As Noted
FINISH:	N/A

NOTICE: THIS INFORMATION IS THE PROPERTY OF N.J. SULLIVAN CO., ANY REPRODUCTION, PUBLICATION OR DISTRIBUTION TO A THIRD PARTY IS STRICTLY FORBIDDEN UNLESS WRITTEN PERMISSIONS ARE GIVEN BY AN AUTHORIZED AGENT OF: N.J. SULLIVAN CO., INC.		
DFTG.:	CD	DATE: 8/16/11
CHKR.:		DATE:
REV.:		DATE:
REV.:		DATE:
REV.:		DATE:

  
**SULLIVAN Co.**  
 INCORPORATED  
 P.O. BOX 438, STERLING, VIRGINIA 20167  
 METAL FABRICATION  
 Phone: (703)-464-5944 Fax: (703)-464-5992  
 www.njsullivan.com