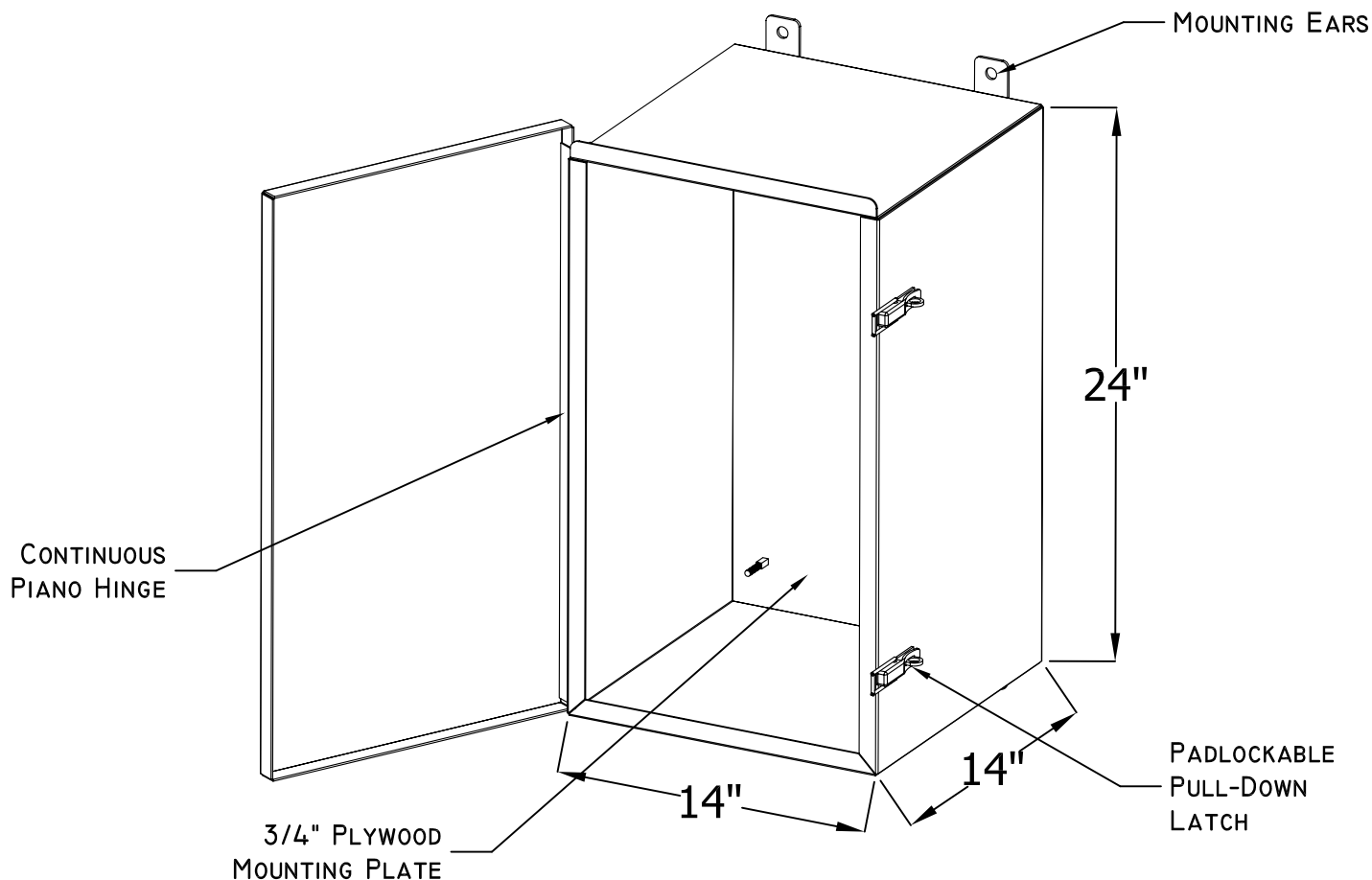


# Technical Specification



## NEMA 3R PEPCO Approved Remote Meter Cabinet

- ❑ PEPCO Approved Remote Meter Cabinets are constructed with all welded seams. Material is galvanized sheet steel conforming with ASTM A-653. Finish is powder coated ANSI 61 gray.
- ❑ Gasketed cover is provided with continuous piano hinge and padlockable pull-down latches.
- ❑ External mounting ears are standard. 3/4" plywood mounting plate is supplied in rear of enclosure.
- ❑ Total custom capability allows us to meet a wide range of customer needs. We can supply special sizes, shapes, holes, or cut-outs.
- ❑ NEMA 3R PEPCO Remote Meter Cabinets are constructed in accordance with UL bulletin #50 and NEMA 3R specifications.

DWG. TITLE:	PEPCO APPROVED REMOTE METER CABINET
DWG. NO.:	PI0096
MATERIAL:	ASTM A653 GALVANNEALED
FINISH:	POWDER COATED GRAY - ANSI 61

NOTICE: THIS INFORMATION IS THE PROPERTY OF N.J. SULLIVAN CO., ANY REPRODUCTION, PUBLICATION OR DISTRIBUTION TO A THIRD PARTY IS STRICTLY FORBIDDEN UNLESS WRITTEN PERMISSIONS ARE GIVEN BY AN AUTHORIZED AGENT OF: N.J. SULLIVAN CO., INC.		
DFTG.:	CD	DATE: 06/20/11
CHKR.:		DATE:
REV.:		DATE:
REV.:		DATE:
REV.:		DATE:

  
**SULLIVAN Co.**  
 INCORPORATED  
 P.O. BOX 438, STERLING, VIRGINIA 20167  
**METAL FABRICATION**  
 Phone: (703)-464-5944 Fax: (703)-464-5992  
[www.njsullivan.com](http://www.njsullivan.com)