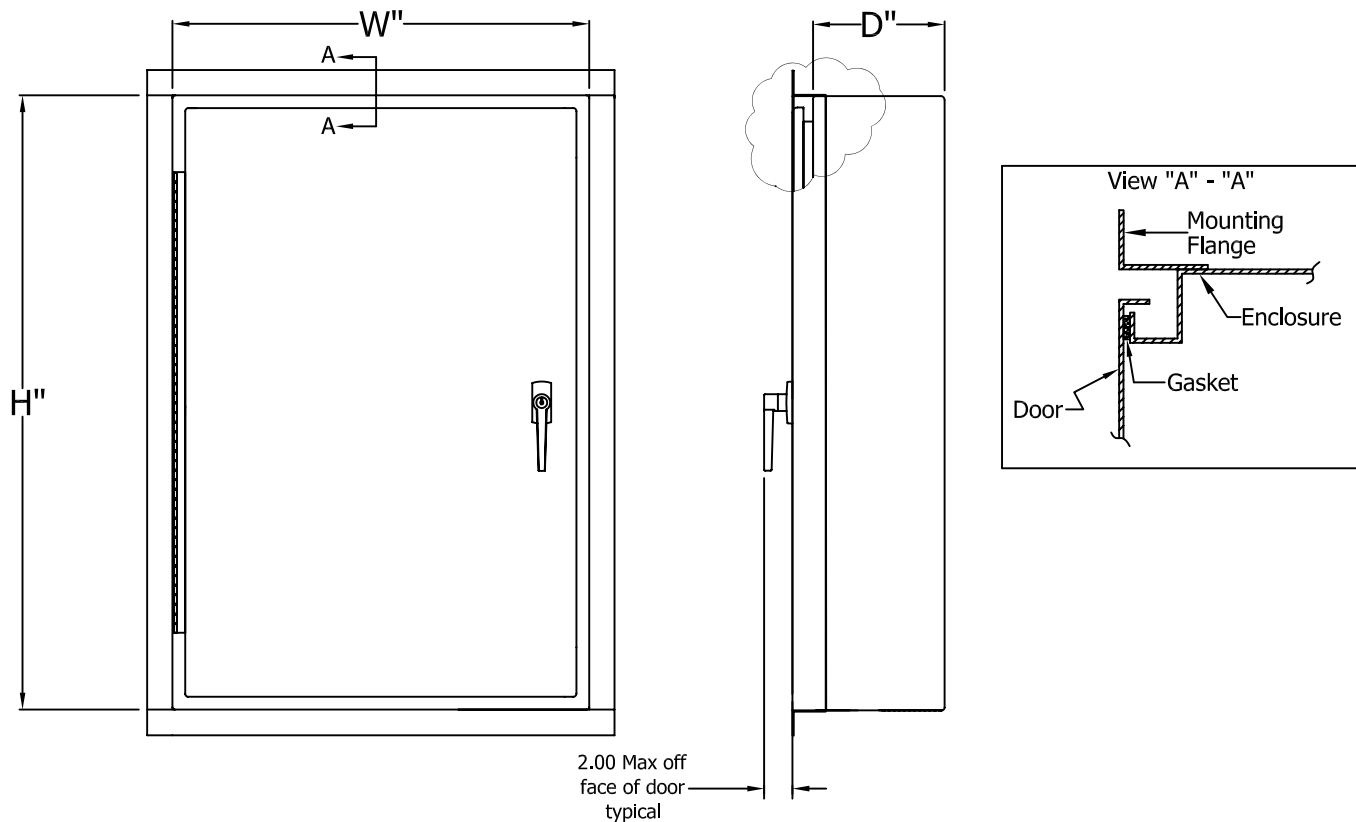


Technical Specification



NEMA 4X Surface Mounted Cabinet

- ❑ Surface mounted cabinets are constructed with all welded seams. Material is 14ga. stainless steel conforming with ASTM A240.
- ❑ Door is gasketed and attached with continuous piano hinge. 3-point latching mechanism supplied with either padlock or key lock handle. Stainless hardware is used throughout.
- ❑ 1 1/2" external mounting flange.
- ❑ Total custom capability allows us to meet a wide range of customer needs. We can supply special sizes, shapes, holes, or cut-outs.
- ❑ Surface mounted cabinets are constructed in accordance with UL bulletin #50 and NEMA 4X specifications.

DWG. TITLE: Technical Specifications / NEMA 4X
Surface Mounted Breaker Cabinet

DWG. NO.: P10048

MATERIAL: 304 Stainless Steel ASTM A240

FINISH: None

NOTICE:
THIS INFORMATION IS THE PROPERTY OF N.J.
SULLIVAN CO., ANY REPRODUCTION, PUBLICATION
OR DISTRIBUTION TO A THIRD PARTY IS STRICTLY
FORBIDDEN UNLESS WRITTEN PERMISSIONS ARE
GIVEN BY AN AUTHORIZED AGENT OF:
N.J. SULLIVAN CO., INC.

DFTG.:	DATE:
CHKR.:	DATE:
REV.:	DATE:
REV.:	DATE:
REV.:	DATE:

N.J.
SULLIVAN Co.

INCORPORATED
P.O. BOX 438, STERLING, VIRGINIA 20167
METAL FABRICATION
Phone: (703)-464-5944 Fax: (703)-464-5992
www.njsullivan.com