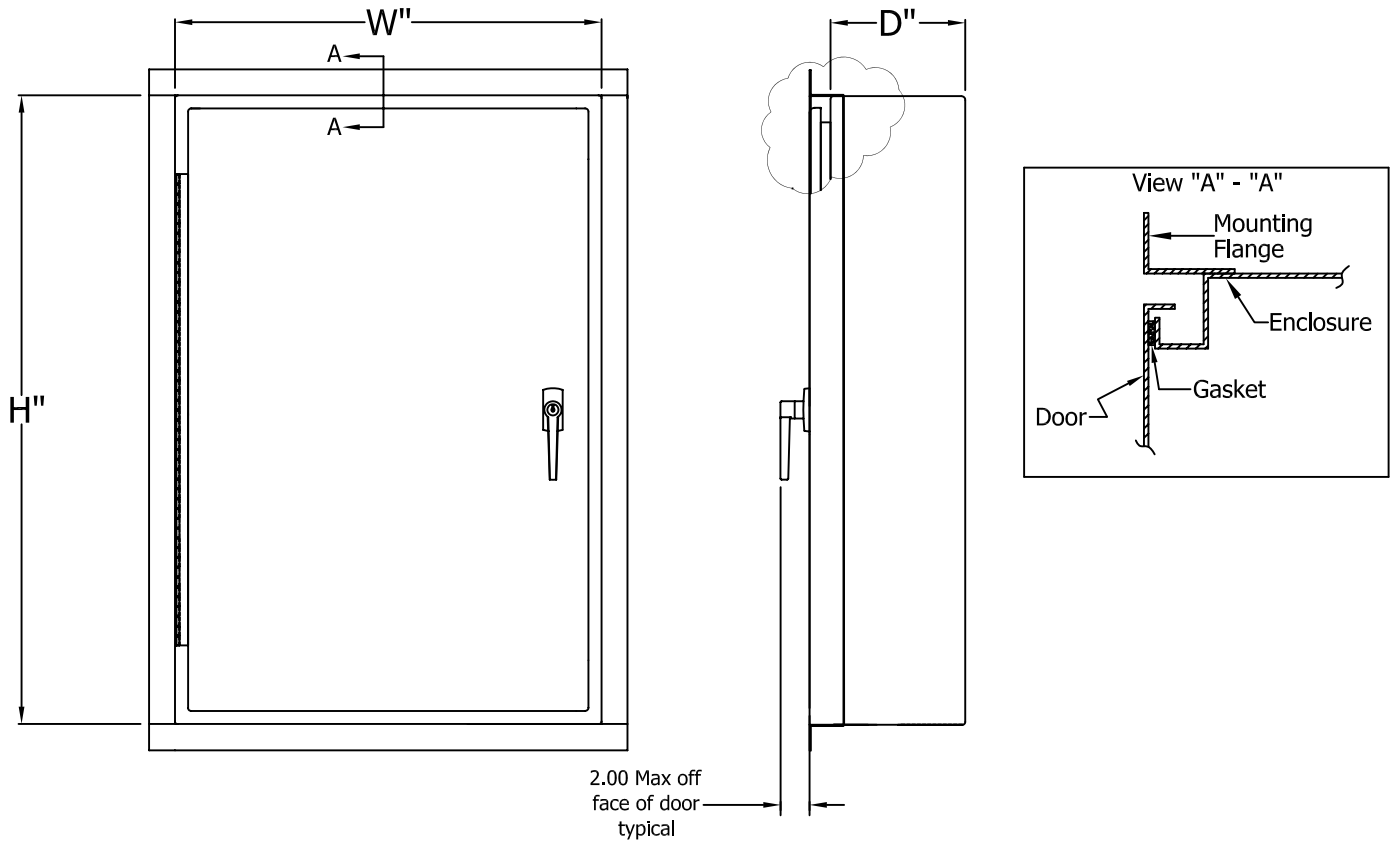


# Technical Specification



## NEMA 4X Surface Mounted Cabinet

- ❑ Surface mounted cabinets are constructed with all welded seams. Material is 14ga. stainless steel, conforming with ASTM A240.
- ❑ Door is gasketed and attached with continuous piano hinge. 3-point latching mechanism supplied with either padlock or keylock handle. Stainless hardware used throughout.
- ❑ 1 1/2" external mounting flange.
- ❑ Total custom capability allows us to meet a wide range of customer needs. We can supply special sizes, shapes, holes, or cutouts.
- ❑ Surface mounted cabinets are constructed in accordance with UL bulletin #50 and NEMA 4X specifications.

UNLESS OTHERWISE SPECIFIED:  
DIMENSIONS ARE IN INCHES; TOLERANCES  
FRACTIONS      DECIMALS      ANGLES  
± .030"      .XX ± .020"      ±0° 30'

DIMENSIONAL LIMITS APPLY BEFORE FINAL FINISH.

MATERIAL:      304 Stainless Steel  
ASTM A240

FINISH:      None

**NOTICE**

THIS INFORMATION IS THE PROPERTY OF N.J. SULLIVAN CO., ANY REPRODUCTION, PUBLICATION OR DISTRIBUTION TO A THIRD PARTY IS STRICTLY FORBIDDEN UNLESS WRITTEN PERMISSIONS ARE GIVEN BY AN AUTHORIZED AGENT OF  
**N.J. SULLIVAN CO., INC.**

DFTG.:	DATE: 08/ 15/ 02
CHKR.:	DATE:
MECH. ENG.:	DATE:
ELEC. ENG.:	DATE:
PROJ. ENG.:	DATE:

**N.J. SULLIVAN CO.**  
INCORPORATED  
P.O. BOX 438, STERLING, VIRGINIA 20167  
METAL FABRICATION

Phone: (703)-471-0544      Fax: (703)-471-0275

DWG. TITLE:      Technical Specifications  
Nema 4X  
Surface Mounted Breaker Cabinet

DWG. NO.:	<b>P10048</b>	REV.
SCALE:      None	SHEET 1 OF 1	