

*Cabinet shown with doors removed.

Model	NJS Part#	Rating	H "	W"	D"	No & Size of Bus Per Phase
Type 1A	NOCTTB1A3	200A - 600A	44"	30"	13"	(1) 4"x10"x1/4"
Type 2A	NOCTTB2A3	800A - 1200A	55"	42"	15"	(2) 4"x10"x1/4"
Type 3A	NOCTTB3A3	1201A - 2000A	55"	54"	15"	(2) 8"x10"x1/4"
Type 4A	NOCTTB4A3	2001A - 3000A	64"	68"	16"	(3) 8"x10"x1/4"

NOVEC - NEMA 1/3R CT Termination Cabinets

- CT Cabinets are constructed with all welded seams. Material is 12ga. galvanized sheet steel, conforming with ASTM A-653 & G60-U. Cabinets are powder coated ANSI-61 Gray.
- Doors* are provided with continuous piano hinges, 3-point latching mechanism supplied with padlockable handle.
- NEMA 1/3R boxes are provided with gasketed doors, and external mounting ears
- NEMA 1/3R CT cabinets are constructed in accordance with UL and NEMA 1 & 3R specifications.

* Single door on Type 1. Overlapping double doors on Types 2, 3 and 4.

DWG. TITLE: Northern Virginia Electric Cooperative
CT Termination Cabinet

DWG. NO.: P-10044

MATERIAL: ASTM A653 Galvanized G60-U

FINISH: Galvanized - ANSI - 61 Gray

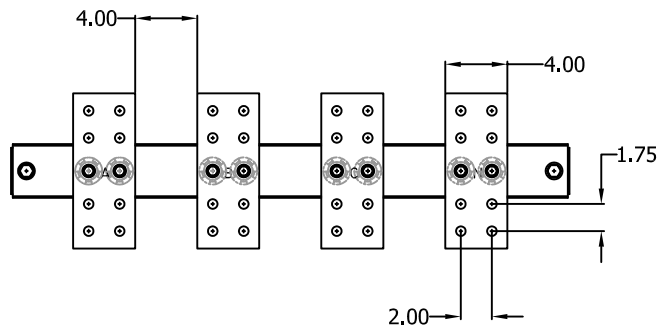
NOTICE:
THIS INFORMATION IS THE PROPERTY OF N.J. SULLIVAN CO., ANY REPRODUCTION, PUBLICATION OR DISTRIBUTION TO A THIRD PARTY IS STRICTLY FORBIDDEN UNLESS WRITTEN PERMISSIONS ARE GIVEN BY AN AUTHORIZED AGENT OF:
N.J. SULLIVAN CO., INC.

DFTG.:	WH	DATE:	02/23/09
CHKR.:		DATE:	
REV.:		DATE:	
REV.:		DATE:	
REV.:		DATE:	

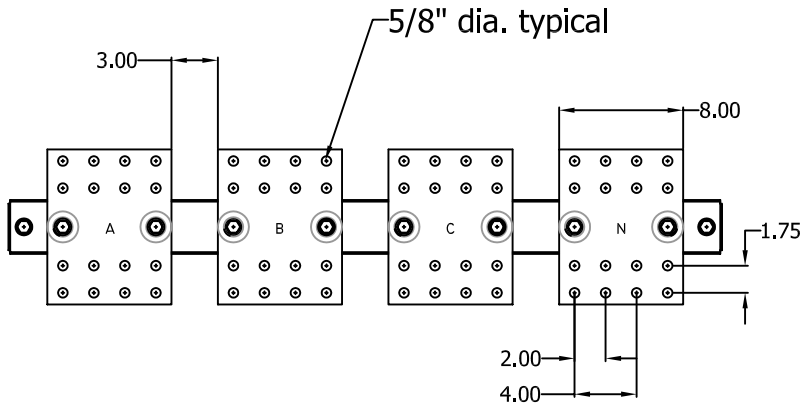
N.J.
SULLIVAN Co.

INCORPORATED
P.O. BOX 438, STERLING, VIRGINIA 20167
METAL FABRICATION

Phone: (703)-464-5944 Fax: (703)-464-5992
www.njsullivan.com



Type 1A & 2A



Type 3A & 4A

Model	NJS Part#	Rating	H "	W"	D"	No & Size of Bus Per Phase
Type 1A	NOCTTB1A3	200A - 600A	44"	30"	13"	(1) 4"x10"x1/4"
Type 2A	NOCTTB2A3	800A - 1200A	55"	42"	15"	(2) 4"x10"x1/4"
Type 3A	NOCTTB3A3	1201A - 2000A	55"	54"	15"	(2) 8"x10"x1/4"
Type 4A	NOCTTB4A3	2001A - 3000A	64"	68"	16"	(3) 8"x10"x1/4"

NOVEC - CT Termination Cabinet Bus Bar Layout

- Bus Bar material is 6101-T61, ASTM B317 Type B extruded aluminum. Copper, ASTM B133 is available upon request.
- Mounting channel is formed from 12ga galvanized steel. Standard grade 5 hardware is used throughout for mounting channel and bus bar.
- Insulated standoffs rated @ 600V per UL 891.

DWG. TITLE: Northern Virginia Electric Cooperative
CT Termination Cabinet - Bus Bar

DWG. NO.: P-10045

MATERIAL: ASTM B317 Type B, 6101-T61 Extruded Aluminum
ASTM B133 Copper

FINISH: N/A

NOTICE:
THIS INFORMATION IS THE PROPERTY OF N.J. SULLIVAN CO., ANY REPRODUCTION, PUBLICATION OR DISTRIBUTION TO A THIRD PARTY IS STRICTLY FORBIDDEN UNLESS WRITTEN PERMISSIONS ARE GIVEN BY AN AUTHORIZED AGENT OF:
N.J. SULLIVAN CO., INC.

DFTG.:	WH	DATE:	02/23/09
CHKR.:		DATE:	
REV.:		DATE:	
REV.:		DATE:	
REV.:		DATE:	

N.J.
SULLIVAN Co.

INCORPORATED
P.O. BOX 438, STERLING, VIRGINIA 20167
METAL FABRICATION

Phone: (703)-464-5944 Fax: (703)-464-5992
www.njsullivan.com