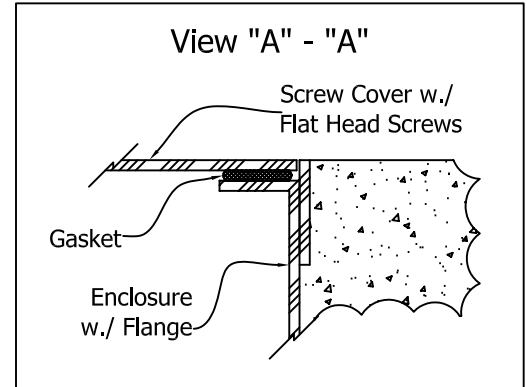
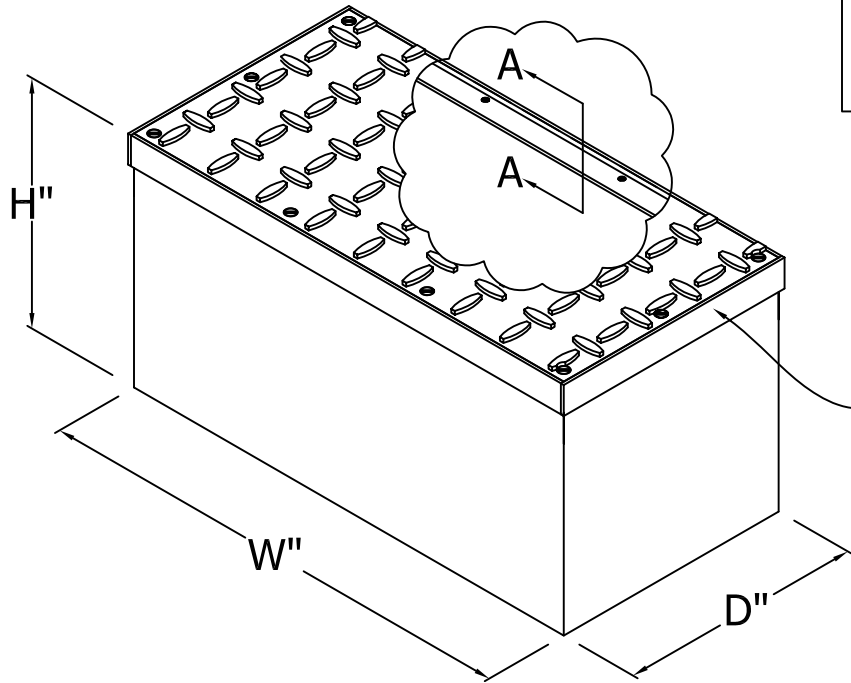


Technical Specification



Direct Burial Junction Box

- Used in instances where junction box must be located and permanently cast into concrete or earth but still remains accessible through screw cover.
- Junction boxes are constructed with all welded seams. Material is 12ga.galvanized sheet steel, conforming with ASTM A-924 and G90.
- Hot-dipped galvanizing available upon request.
- Boxes are supplied with gasketed diamond plate screw cover.
- Total custom capability allows us to meet a wide range of customer needs. We can supply special sizes, shapes, holes, or cutouts.

UNLESS OTHERWISE SPECIFIED:
DIMENSIONS ARE IN INCHES; TOLERANCES
FRACTIONS DECIMALS ANGLES
± .030" .XX ± .020" ± 0° 30'

DIMENSIONAL LIMITS APPLY BEFORE FINAL FINISH.

MATERIAL:
ASTM A-924 Galvanized

FINISH:

NOTICE:
THIS INFORMATION IS THE PROPERTY OF N.J. SULLIVAN CO., ANY REPRODUCTION, PUBLICATION OR DISTRIBUTION TO A THIRD PARTY IS STRICKLY FORBIDDEN UNLESS WRITTEN PERMISSIONS ARE GIVEN BY AN AUTHORIZED AGENT OF:
N.J. SULLIVAN CO., INC.

DFTG.:	DATE: 05/22/02
CHKR.:	DATE:
MECH. ENG.:	DATE:
ELEC. ENG.:	DATE:
PROJ. ENG.:	DATE:

N.J. SULLIVAN CO.
INCORPORATED
P.O. BOX 438, STERLING, VIRGINIA 20167
METAL FABRICATION

Phone: (703)-471-0544 Fax: (703)-471-0275

DWG. TITLE:
Direct Burial Junction Box

DWG. NO.:	P10041	REV.
SCALE:	None	SHEET 1 OF 1