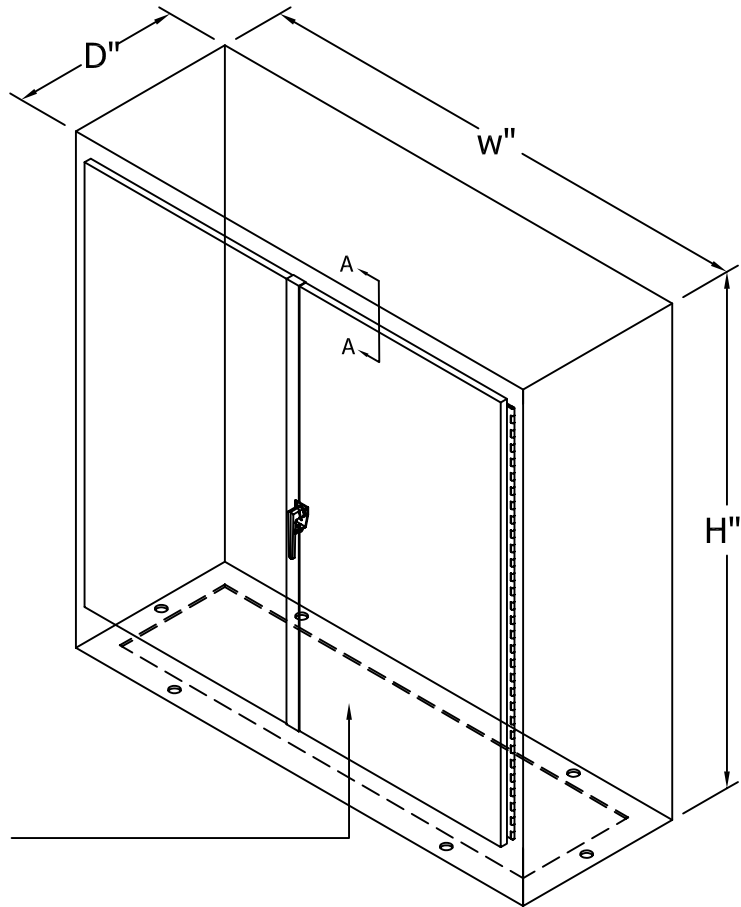
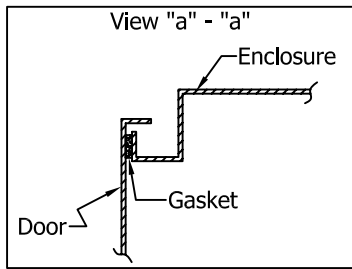


# Technical Specification



Open bottom  
1 1/2" mounting flange  
5/8" mounting holes

## NEMA 4X Pad-Mounted Exterior Enclosure

- ❑ Pad-mounted enclosures are constructed with all welded seams. Material is 304-2B stainless steel conforming with ASTM A240. Type 316 stainless is available upon request.
- ❑ Single or double doors provided with continuous piano hinges. 3-point latching mechanism supplied with either padlock or key lock handle.
- ❑ Total custom capability allows us to meet a wide range of customer needs. We can supply special sizes, shapes, holes, or cut-outs.
- ❑ Pad-mounted enclosures are constructed in accordance with UL bulletin #50 and NEMA 4X specifications.

DWG. TITLE: Technical Specifications / NEMA 4X  
Pad Mounted Exterior Enclosure

DWG. NO.: P10039

MATERIAL: 304-2B Stainless Steel  
ASTM A240

FINISH: None

NOTICE:  
THIS INFORMATION IS THE PROPERTY OF N.J.  
SULLIVAN CO., ANY REPRODUCTION, PUBLICATION  
OR DISTRIBUTION TO A THIRD PARTY IS STRICTLY  
FORBIDDEN UNLESS WRITTEN PERMISSIONS ARE  
GIVEN BY AN AUTHORIZED AGENT OF:  
N.J. SULLIVAN CO., INC.

DFTG.:	DATE:
CHKR.:	DATE:
REV.:	DATE:
REV.:	DATE:
REV.:	DATE:

**N.J.**  
**SULLIVAN Co.**

INCORPORATED  
P.O. BOX 438, STERLING, VIRGINIA 20167  
METAL FABRICATION  
Phone: (703)-464-5994 Fax: (703)-464-5992  
www.njsullivan.com