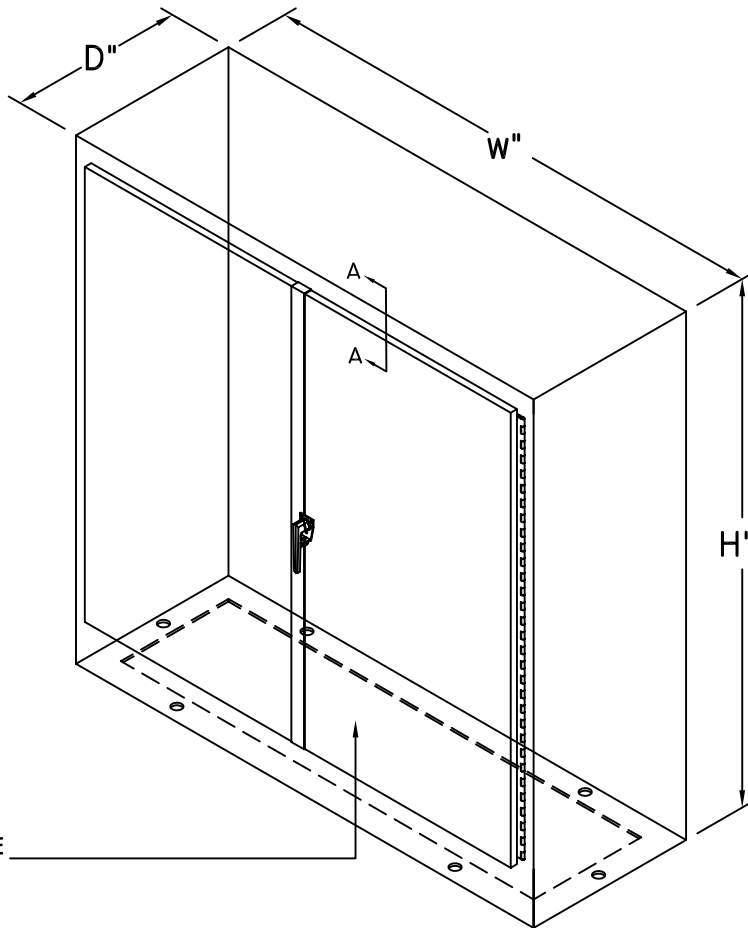
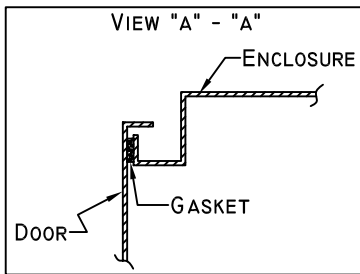


Technical Specification



OPEN BOTTOM
 1 1/2" MOUNTING FLANGE
 5/8" MOUNTING HOLES

NEMA 4X PAD-MOUNTED EXTERIOR ENCLOSURE

- ❑ PAD-MOUNTED ENCLOSURES ARE CONSTRUCTED WITH ALL WELDED SEAMS. MATERIAL IS 304-2B STAINLESS STEEL, CONFORMING WITH ASTM A240. TYPE 316 IS AVAILABLE UPON REQUEST.
- ❑ SINGLE OR DOUBLE DOORS PROVIDED WITH CONTINUOUS PIANO HINGES. 3-POINT LATCHING MECHANISM SUPPLIED WITH EITHER PADLOCK OR KEYLOCK HANDLE.
- ❑ TOTAL CUSTOM CAPABILITY ALLOWS US TO MEET A WIDE RANGE OF CUSTOMER NEEDS. WE CAN SUPPLY SPECIAL SIZES, SHAPES, HOLES, OR CUTOUTS.
- ❑ PAD-MOUNTED ENCLOSURES ARE CONSTRUCTED IN ACCORDANCE WITH UL BULLETIN #50 AND NEMA 4X SPECIFICATIONS.

UNLESS OTHERWISE SPECIFIED:
 DIMENSIONS ARE IN INCHES; TOLERANCES
 FRACTIONS DECIMALS ANGLES
 ± .030" .XX ± .020" ± 0° 30'
 .XXX ± .010"

DIMENSIONAL LIMITS APPLY BEFORE FINAL FINISH.

MATERIAL:
 304-2B STAINLESS STEEL
 ASTM A240

FINISH:
 NONE

NOTICE

THIS INFORMATION IS THE PROPERTY OF N.J. SULLIVAN CO.. ANY REPRODUCTION, PUBLICATION OR DISTRIBUTION TO A THIRD PARTY IS STRICTLY FORBIDDEN UNLESS WRITTEN PERMISSIONS ARE GIVEN BY AN AUTHORIZED AGENT OF
N.J. SULLIVAN CO., INC.

DFTG.:	DATE: 04 / 04 / 02
CHKR.:	DATE:
MECH. ENG.:	DATE:
ELEC. ENG.:	DATE:
PROJ. ENG.:	DATE:

N.J. SULLIVAN CO.

INCORPORATED
 P.O. BOX 438, STERLING, VIRGINIA 20167
 METAL FABRICATION

PHONE: (703)-471-0544 FAX: (703)-471-0275

DWG. TITLE: TECHNICAL SPECIFICATIONS
 NEMA 4X
 PAD-MOUNTED EXTERIOR ENCLOSURE

DWG. NO.: **P10039** REV. **A**

SCALE: NONE SHEET 1 OF 1