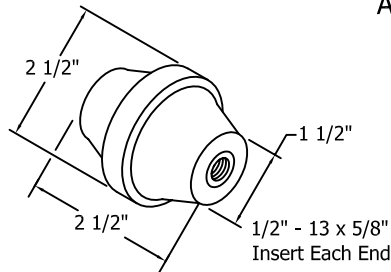
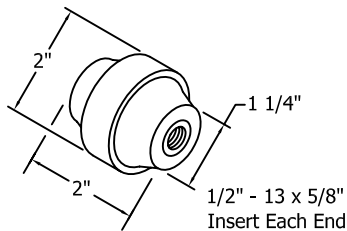
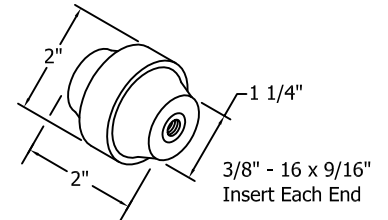
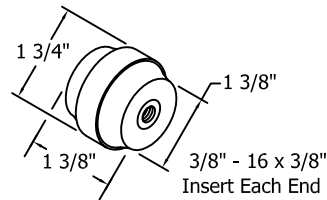
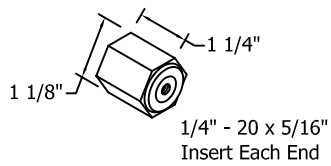
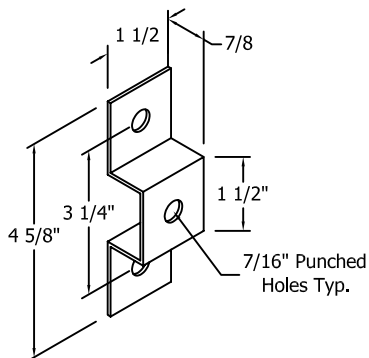


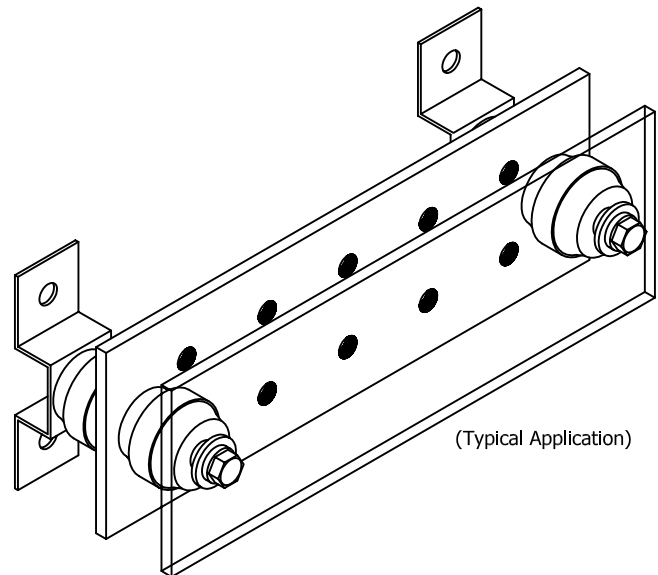
Ground Bar Mounting Hardware And Accessories



All insulators made from UL recognized flame resistant fiberglass reinforced polyester compound.



Standard mounting bracket.
Custom brackets available upon request.



(Typical Application)

Plexiglass Covers Available

UNLESS OTHERWISE SPECIFIED:
DIMENSIONS ARE IN INCHES; TOLERANCES
FRACTIONS DECIMALS ANGLES
± .030" .XX ± .020" ± 0° 30'
.XXX ± .010"
DIMENSIONAL LIMITS APPLY BEFORE FINAL FINISH.

MATERIAL:

FINISH:

NOTICE:
THIS INFORMATION IS THE PROPERTY OF N.J. SULLIVAN CO., ANY REPRODUCTION, PUBLICATION OR DISTRIBUTION TO A THIRD PARTY IS STRICKLY FORBIDDEN UNLESS WRITTEN PERMISSIONS ARE GIVEN BY AN AUTHORIZED AGENT OF:
N.J. SULLIVAN CO., INC.

DFTG.:	DATE: 03/18/02
CHKR.:	DATE:
MECH. ENG.:	DATE:
ELEC. ENG.:	DATE:
PROJ. ENG.:	DATE:

N.J. SULLIVAN CO.
INCORPORATED
P.O. BOX 438, STERLING, VIRGINIA 20167
METAL FABRICATION
Phone: (703)-471-0544 Fax: (703)-471-0275

DWG. TITLE: **Ground Bar Mounting Hardware And Accessories**

DWG. NO.: P10037	REV.
SCALE: None	SHEET 1 OF 1