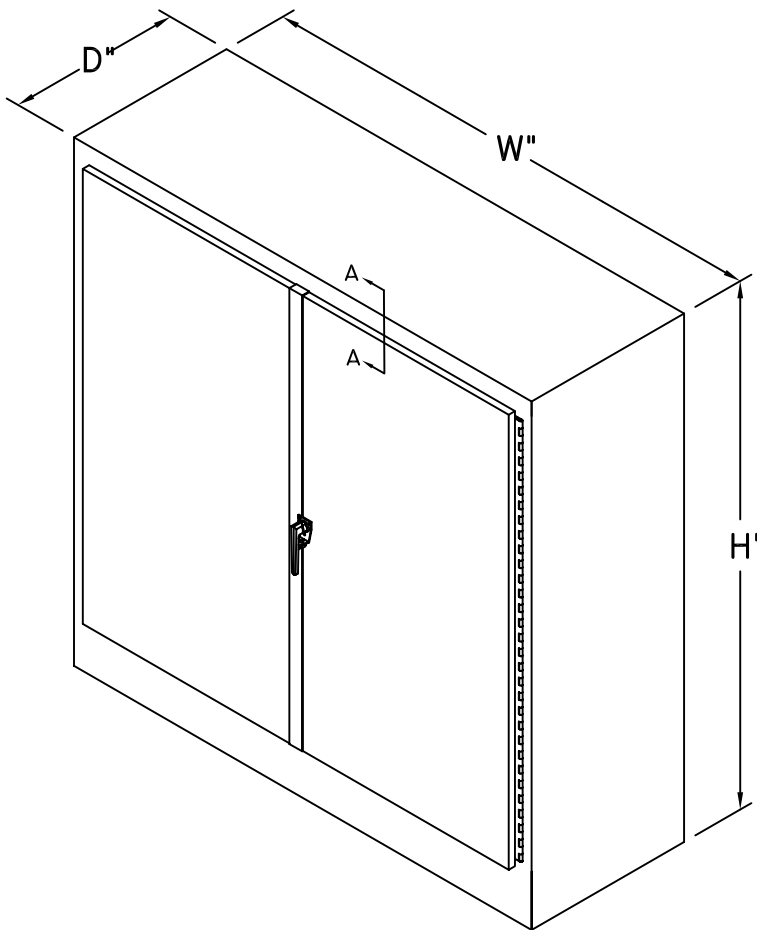
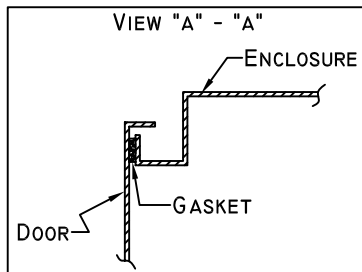


Technical Specification



NEMA 3R EXTERIOR ENCLOSURE

- ENCLOSURES ARE CONSTRUCTED WITH ALL WELDED SEAMS. MATERIAL IS GALVANEAELED SHEET STEEL, CONFORMING WITH ASTM A653.
- DOUBLE DOORS PROVIDED WITH CONTINUOUS PIANO HINGES. 3-POINT LATCHING MECHANISM SUPPLIED WITH EITHER PADLOCK OR KEYLOCK HANDLE.
- TOTAL CUSTOM CAPABILITY ALLOWS US TO MEET A WIDE RANGE OF CUSTOMER NEEDS. WE CAN SUPPLY SPECIAL SIZES, SHAPES, HOLES, OR CUTOUTS.
- ENCLOSURES ARE CONSTRUCTED IN ACCORDANCE WITH UL BULLETIN #50 AND NEMA 3R SPECIFICATIONS.

UNLESS OTHERWISE SPECIFIED:
 DIMENSIONS ARE IN INCHES; TOLERANCES
 FRACTIONS DECIMALS ANGLES
 ± .030" .XX ± .020" ± 0° 30'

DIMENSIONAL LIMITS APPLY BEFORE FINAL FINISH.

MATERIAL:
 ASTM A924 GALVANIZED
 ASTM A653 GALVANEAELED

FINISH:
 GALVANEAELED - PAINTED

NOTICE

THIS INFORMATION IS THE PROPERTY OF N.J. SULLIVAN CO.. ANY REPRODUCTION, PUBLICATION OR DISTRIBUTION TO A THIRD PARTY IS STRICKLY FORBIDDEN UNLESS WRITTEN PERMISSIONS ARE GIVEN BY AN AUTHORIZED AGENT OF
N.J. SULLIVAN CO., INC.

DFTG.:	DATE: 01/ 07/ 02
CHKR.:	DATE:
MECH. ENG.:	DATE:
ELEC. ENG.:	DATE:
PROJ. ENG.:	DATE:

N.J. SULLIVAN CO.

INCORPORATED
 P.O. BOX 438, STERLING, VIRGINIA 20167
 METAL FABRICATION

PHONE: (703)-471-0544 FAX: (703)-471-0275

DWG. TITLE:

**TECHNICAL SPECIFICATIONS
 NEMA 3R EXTERIOR ENCLOSURE**

DWG. NO.:

PI003I

REV.

SCALE: NONE SHEET 1 OF 1