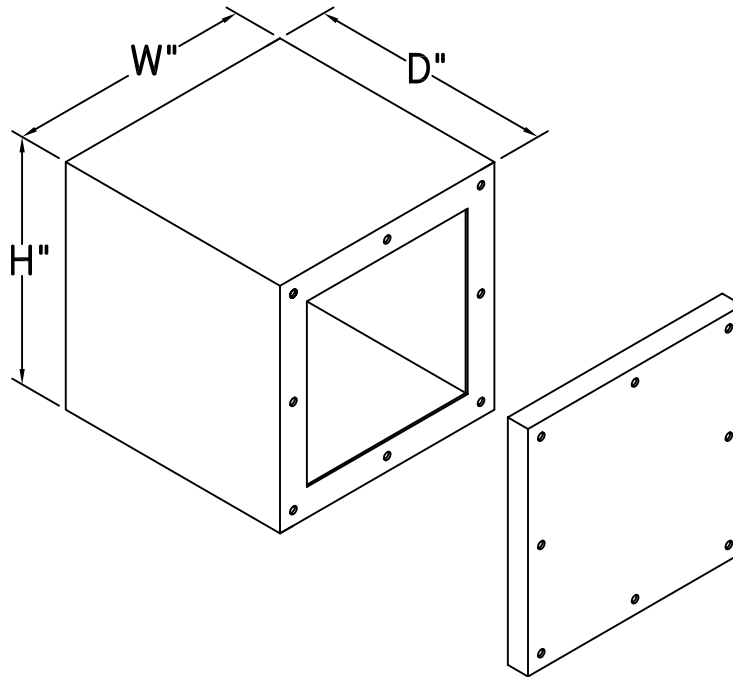


Technical Specification



NEMA 12 JUNCTION / PULL BOX W. SCREW COVER

- JUNCTION BOXES AND PULL BOXES ARE CONSTRUCTED WITH ALL WELDED SEAMS. MATERIAL IS GALVANIZED SHEET STEEL, CONFORMING WITH ASTM A-924 AND G90.
- IN INSTANCES WHERE A PAINTED FINISH IS REQUIRED, GALVANEAELED STEEL, ASTM A653, WILL BE USED.
- BOXES ARE PROVIDED WITH GASKETED SCREW COVERS, INTERNAL REAR MOUNTING HOLES, AND GROUND SCREW.
- TOTAL CUSTOM CAPABILITY ALLOWS US TO MEET A WIDE RANGE OF CUSTOMER NEEDS. WE CAN SUPPLY SPECIAL SIZES, SHAPES, HOLES, OR CUTOUTS.
- NEMA 12 JUNCTION AND PULL BOXES ARE CONSTRUCTED IN ACCORDANCE WITH UL BULLETIN #50 AND NEMA 12 SPECIFICATIONS.

DWG. TITLE: NEMA 12
Junction / Pull Box w. Screw Cover

DWG. NO.: P10017

MATERIAL: ASTM A924 Galvanized
 ASTM A653 Galvanealed

FINISH: Galvanized - None
 Galvanealed - Customer to specify

NOTICE:
THIS INFORMATION IS THE PROPERTY OF N.J. SULLIVAN CO., ANY REPRODUCTION, PUBLICATION OR DISTRIBUTION TO A THIRD PARTY IS STRICKLY FORBIDDEN UNLESS WRITTEN PERMISSIONS ARE GIVEN BY AN AUTHORIZED AGENT OF:
N.J. SULLIVAN CO., INC.

DFTG.:	B.B.	DATE: 09/17/01
CHKR.:		DATE:
REV.:		DATE:
REV.:		DATE:
REV.:		DATE:

N.J.
SULLIVAN Co.

INCORPORATED
P.O. BOX 438, STERLING, VIRGINIA 20167
METAL FABRICATION
Phone: (703)-464-5944 Fax: (703)-464-5992
www.njsullivan.com