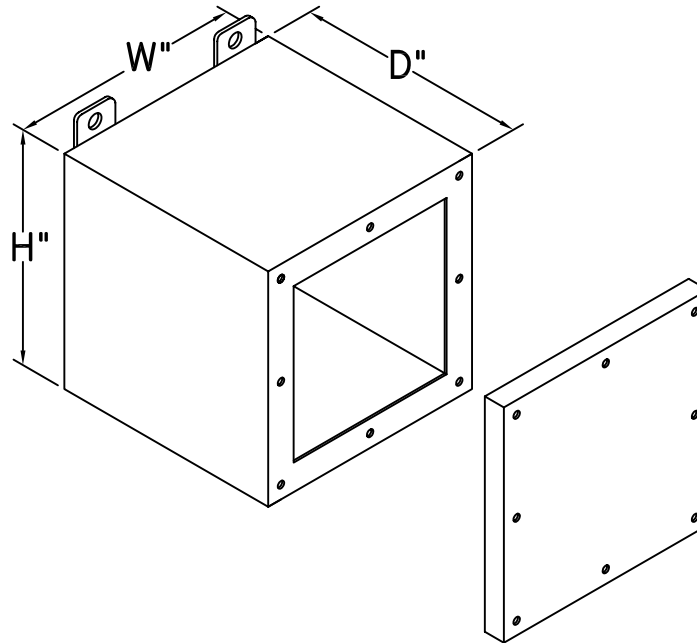


# Technical Specification



## NEMA 4X JUNCTION / PULL BOX W. SCREW COVER

- JUNCTION BOXES AND PULL BOXES ARE CONSTRUCTED WITH ALL WELDED SEAMS. MATERIAL IS TYPE 304 STAINLESS STEEL, CONFORMING WITH ASTM A240.
- BOXES ARE PROVIDED WITH GASKETED SCREW COVERS AND EXTERNAL MOUNTING EARS. STAINLESS HARDWARE USED THROUGHOUT.
- TOTAL CUSTOM CAPABILITY ALLOWS US TO MEET A WIDE RANGE OF CUSTOMER NEEDS. WE CAN SUPPLY SPECIAL SIZES, SHAPES, HOLES, OR CUTOUTS.
- NEMA 4X JUNCTION AND PULL BOXES ARE CONSTRUCTED IN ACCORDANCE WITH UL BULLETIN #50 AND NEMA SPECIFICATIONS.

UNLESS OTHERWISE SPECIFIED:  
 DIMENSIONS ARE IN INCHES. TOLERANCES  
 FRACTIONS    DECIMALS    ANGLES  
 ± .030"    .XX ± .020"    ± 0° 30'  
               .XXX ± .010"

DIMENSIONAL LIMITS APPLY BEFORE FINAL FINISH.

MATERIAL:  
 304 STAINLESS STEEL  
 ASTM A240

FINISH:  
 DULL

**NOTICE**

THIS INFORMATION IS THE PROPERTY OF N.J. SULLIVAN CO., ANY REPRODUCTION, PUBLICATION OR DISTRIBUTION TO A THIRD PARTY IS STRICTLY FORBIDDEN UNLESS WRITTEN PERMISSIONS ARE GIVEN BY AN AUTHORIZED AGENT OF  
**N.J. SULLIVAN CO., INC.**

DFTG.:	DATE: 07/23/01
CHKR.:	DATE:
MECH. ENG.:	DATE:
ELEC. ENG.:	DATE:
PROJ. ENG.:	DATE:

**N.J. SULLIVAN CO.**  
 INCORPORATED  
 P.O. BOX 438, STERLING, VIRGINIA 20167  
 METAL FABRICATION

PHONE: (703)-471-0544      FAX: (703)-471-0275

DWG. TITLE: TECHNICAL SPECIFICATIONS NEMA 4X JUNCTION / PULL BOX W. SCREW COVER	REV. <b>A</b>
DWG. NO.: <b>PI0014</b>	
SCALE: NONE	SHEET 1 OF 1