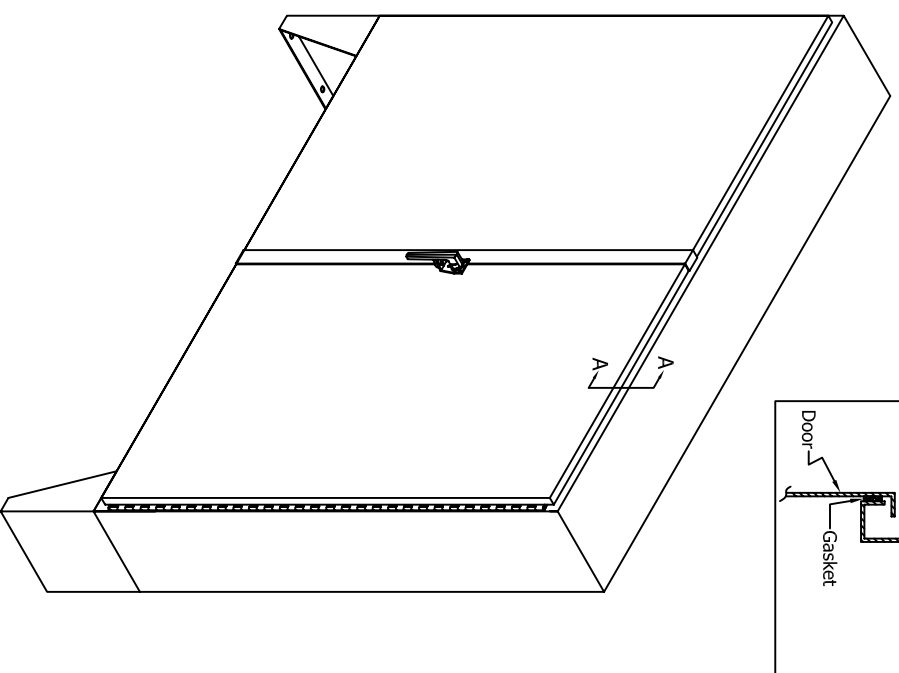
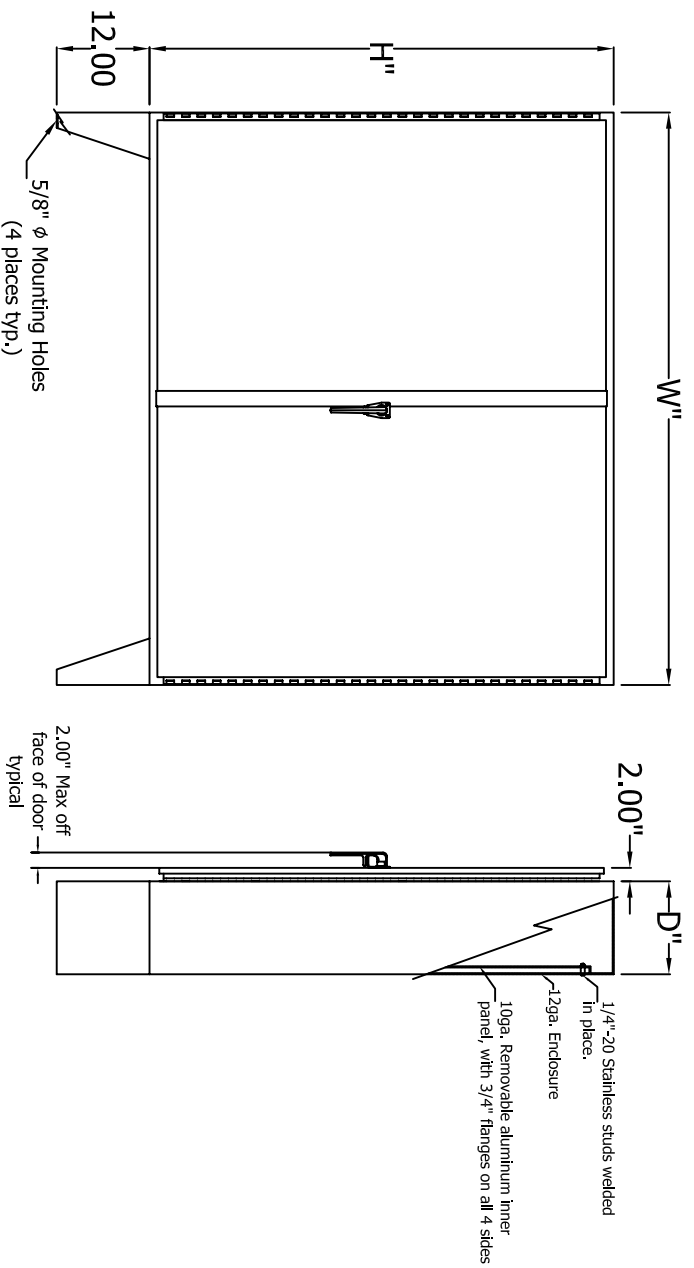


Technical Specification



NEMA 4X Floor Mounted 2-Door Equipment Enclosure

- ❑ Floor mounted enclosures are constructed with all welded seams. Material is 12ga. 304 stainless steel conforming with ASTM A240.
- ❑ Single or double doors provided with continuous piano hinges. 3-point latching mechanism supplied with either padlock or keylock handle. Stainless hardware used throughout.
- ❑ Total custom capability allows us to meet a wide range of customer needs. We can supply special sizes, shapes, holes, or cutouts.
- ❑ Floor mounted enclosures are constructed in accordance with UL bulletin #50 and NEMA 4X specifications.

DWG. TITLE:	Technical Specifications / NEMA 4X 2-Door Floor Mounted Equipment Enclosure
DWG. NO.:	P10011
MATERIAL:	304 Stainless Steel ASTM A240
FINISH:	ZB

NOTICE: THIS INFORMATION IS THE PROPERTY OF N.J. SULLIVAN CO. ANY REPRODUCTION, PUBLICATION OR DISTRIBUTION TO A THIRD PARTY IS STRICTLY PROHIBITED. THIS INFORMATION IS STRICTLY FOR THE USE OF THE CUSTOMER AND IS NOT TO BE REPRODUCED OR DISTRIBUTED BY AN AUTHORIZED AGENT OF N.J. SULLIVAN CO., INC.	
DATE:	09/22/01
CHKD:	
REV.:	
REV.:	

SULLIVAN co.
INCORPORATED
P.O. BOX 438, STERLING, VIRGINIA 20167
METAL FABRICATION
Phone: (703)-464-5944 Fax: (703)-464-5992
www.njsullivan.com