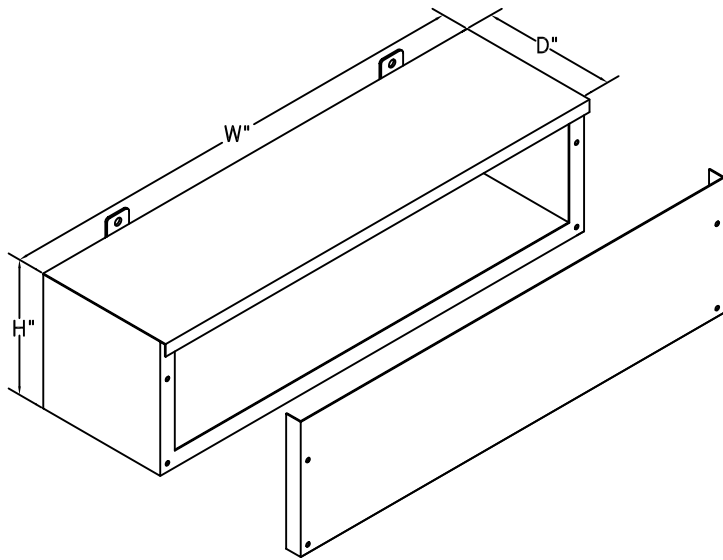
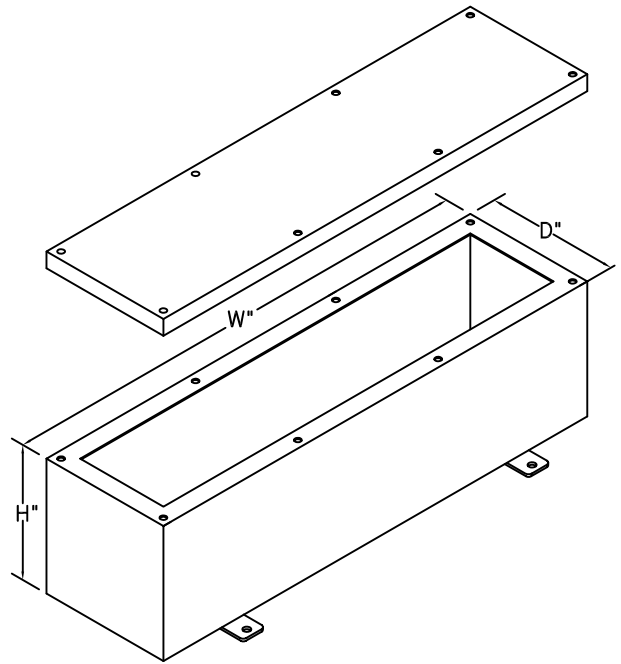


# Technical Specification



WALL MOUNTED



FLOOR MOUNTED

## NEMA 3R ELECTRICAL TROUGH W. SCREW COVER

- Electrical troughs are constructed with all welded seams. Material is galvanized sheet steel, conforming with ASTM A-924 and G90.
- IN INSTANCES WHERE A PAINTED FINISH IS REQUIRED, GALVANEAELED STEEL, ASTM A653, WILL BE USED.
- TROUGHES ARE PROVIDED WITH GASKETED SCREW COVERS, AND EXTERNAL MOUNTING EARS.
- TOTAL CUSTOM CAPABILITY ALLOWS US TO MEET A WIDE RANGE OF CUSTOMER NEEDS. WE CAN SUPPLY SPECIAL SIZES, SHAPES, HOLES, OR CUTOUTS.
- NEMA 3R ELECTRICAL TROUGHES ARE CONSTRUCTED IN ACCORDANCE WITH UL BULLETIN #50 AND NEMA SPECIFICATIONS.

DWG. TITLE:	Nema 3R Electrical Trough w./ Screw Cover
-------------	--

DWG. NO.:	P10005
-----------	--------

MATERIAL:	ASTM A924 Galvanized ASTM A653 Galvanealed
-----------	---

FINISH:	Galvanized - None Galvanealed - Painted
---------	--

**NOTICE:**  
THIS INFORMATION IS THE PROPERTY OF N.J. SULLIVAN CO., ANY REPRODUCTION, PUBLICATION OR DISTRIBUTION TO A THIRD PARTY IS STRICTLY FORBIDDEN UNLESS WRITTEN PERMISSIONS ARE GIVEN BY AN AUTHORIZED AGENT OF:  
N.J. SULLIVAN CO., INC.

DFTG.:	B.B.	DATE:	4/9/01
CHKR.:		DATE:	
REV.:		DATE:	
REV.:		DATE:	
REV.:		DATE:	

**N.J.**  
**SULLIVAN Co.**

INCORPORATED  
P.O. BOX 438, STERLING, VIRGINIA 20167  
**METAL FABRICATION**  
Phone: (703)-464-5944 Fax: (703)-464-5992  
[www.njsullivan.com](http://www.njsullivan.com)