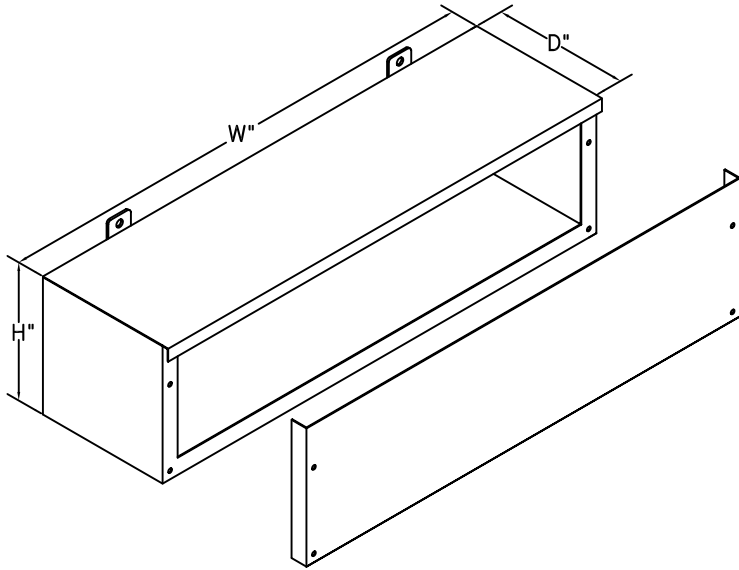
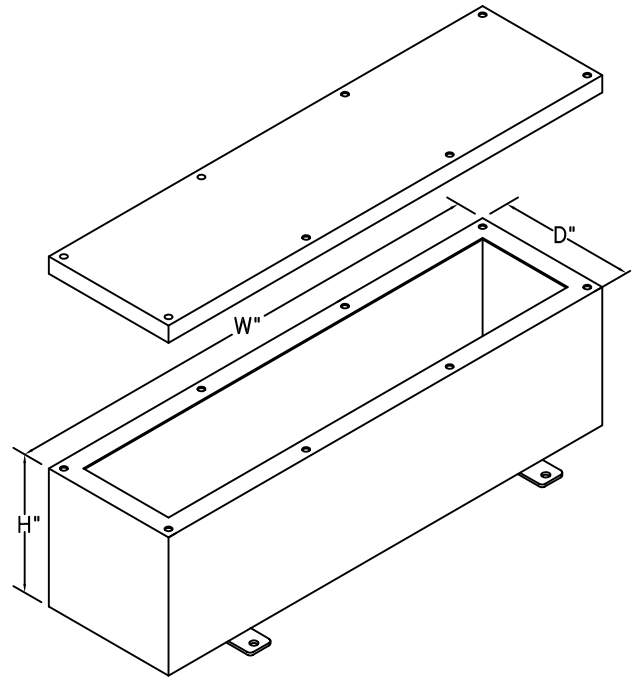


Technical Specification



WALL MOUNTED



FLOOR MOUNTED

NEMA 3R ELECTRICAL TROUGH W. SCREW COVER

- ELECTRICAL TROUGHS ARE CONSTRUCTED WITH ALL WELDED SEAMS. MATERIAL IS GALVANIZED SHEET STEEL, CONFORMING WITH ASTM A-924 AND G90.
- IN INSTANCES WHERE A PAINTED FINISH IS REQUIRED, GALVANEAELED STEEL, ASTM A653, WILL BE USED.
- TROUGHS ARE PROVIDED WITH GASKETED SCREW COVERS, AND EXTERNAL MOUNTING EARS.
- TOTAL CUSTOM CAPABILITY ALLOWS US TO MEET A WIDE RANGE OF CUSTOMER NEEDS. WE CAN SUPPLY SPECIAL SIZES, SHAPES, HOLES, OR CUTOUTS.
- NEMA 3R ELECTRICAL TROUGHS ARE CONSTRUCTED IN ACCORDANCE WITH UL BULLETIN #50 AND NEMA SPECIFICATIONS.

UNLESS OTHERWISE SPECIFIED:
DIMENSIONS ARE IN INCHES; TOLERANCES
FRACTIONS DECIMALS ANGLES
± .030" .XX ± .020" ± 0° 30'

DIMENSIONAL LIMITS APPLY BEFORE FINAL FINISH.

MATERIAL:
ASTM A924 GALVANIZED
ASTM A653 GALVANEAELED

FINISH: GALVANIZED - NONE
GALVANEAELED - PAINTED

NOTICE

THIS INFORMATION IS THE PROPERTY OF N.J. SULLIVAN CO., ANY REPRODUCTION, PUBLICATION OR DISTRIBUTION TO A THIRD PARTY IS STRICKLY FORBIDDEN UNLESS WRITTEN PERMISSIONS ARE GIVEN BY AN AUTHORIZED AGENT OF
N.J. SULLIVAN CO., INC.

DFTG.:	DATE:
CHKR.:	DATE:
MECH. ENG.:	DATE:
ELEC. ENG.:	DATE:
PROJ. ENG.:	DATE:

N.J. SULLIVAN CO.

INCORPORATED
P.O. BOX 438, STERLING, VIRGINIA 20167
METAL FABRICATION

PHONE: (703)-471-0544 FAX: (703)-471-0275

DWG. TITLE: TECHNICAL SPECIFICATIONS
NEMA 3R
ELECTRICAL TROUGH W./ SCREW COVER

DWG. NO.: **PI0005**

SCALE: NONE SHEET | OF |

REV.