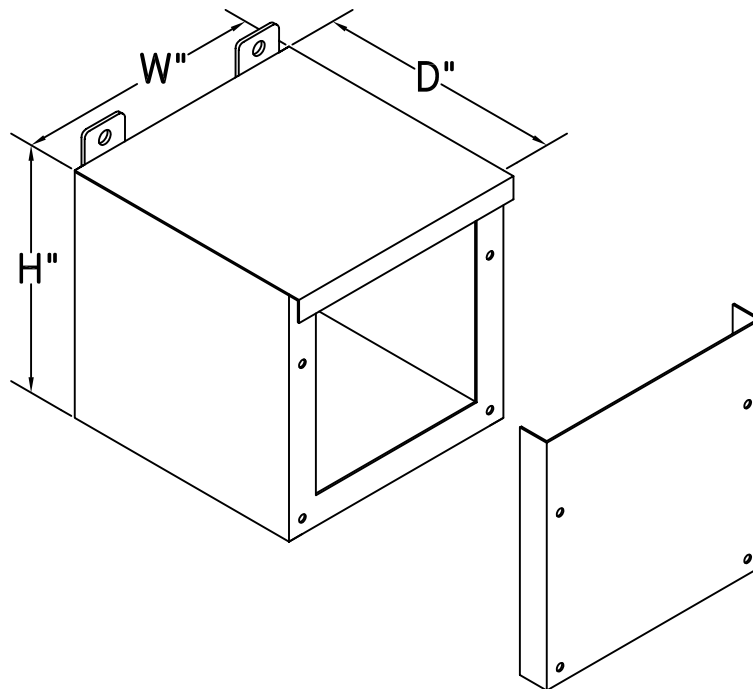


# Technical Specification



## NEMA 3R JUNCTION / PULL BOX W. SCREW COVER

- Junction boxes and pull boxes are constructed with all welded seams. Material is galvanized sheet steel, conforming with ASTM A-924 and G90.
- In instances where a painted finish is required, Galvanealed steel, ASTM A653, will be used.
- Boxes are provided with screw covers and external mounting ears.
- Padlock or utility seal tabs can be furnished.
- Total custom capability allows us to meet a wide range of customer needs. We can supply special sizes, shapes, holes, or cutouts.
- NEMA 3R junction and pull boxes are constructed in accordance with UL bulletin 50 and NEMA specifications.

DWG. TITLE: NEMA 3R  
Junction / Pull Box w. Screw Cover

DWG. NO.: PI0004

MATERIAL: ASTM A924 Galvanized  
ASTM A653 Galvanealed

FINISH: Galvanized - None  
Galvanealed - Painted

NOTICE:  
THIS INFORMATION IS THE PROPERTY OF N.J. SULLIVAN CO., ANY REPRODUCTION, PUBLICATION OR DISTRIBUTION TO A THIRD PARTY IS STRICTLY FORBIDDEN UNLESS WRITTEN PERMISSIONS ARE GIVEN BY AN AUTHORIZED AGENT OF:  
N.J. SULLIVAN CO., INC.

DFTG.:	B.B.	DATE:	3/21/01
CHKR.:		DATE:	
REV.:		DATE:	
REV.:		DATE:	
REV.:		DATE:	

**N.J.**  
**SULLIVAN Co.**

INCORPORATED  
P.O. BOX 438, STERLING, VIRGINIA 20167  
METAL FABRICATION  
Phone: (703)-464-5944 Fax: (703)-464-5992  
www.njsullivan.com