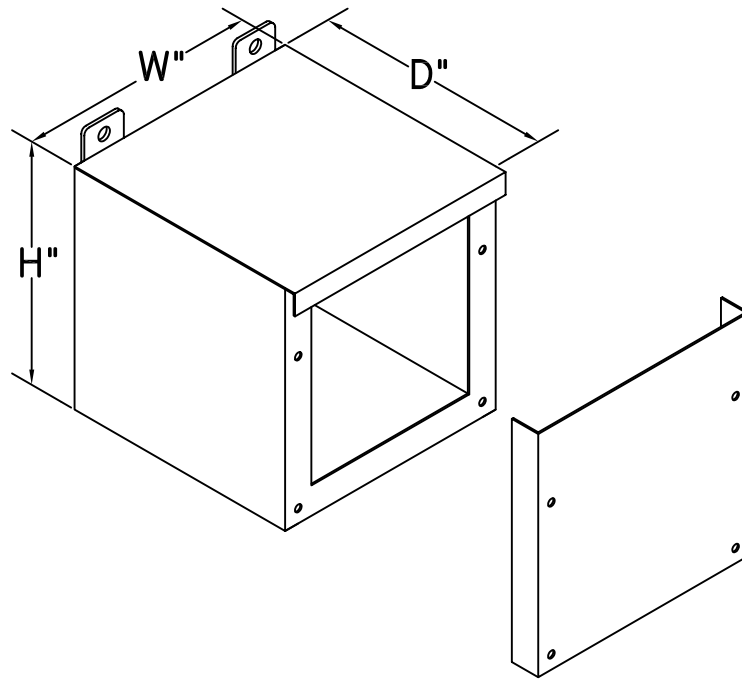


Technical Specification



NEMA 3R JUNCTION / PULL BOX W. SCREW COVER

- JUNCTION BOXES AND PULL BOXES ARE CONSTRUCTED WITH ALL WELDED SEAMS. MATERIAL IS GALVANIZED SHEET STEEL, CONFORMING WITH ASTM A-924 AND G90.
- IN INSTANCES WHERE A PAINTED FINISH IS REQUIRED, GALVANEAELED STEEL, ASTM A653, WILL BE USED.
- BOXES ARE PROVIDED WITH SCREW COVERS AND EXTERNAL MOUNTING EARS.
- PADLOCK OR UTILITY SEAL TABS CAN BE FURNISHED.
- TOTAL CUSTOM CAPABILITY ALLOWS US TO MEET A WIDE RANGE OF CUSTOMER NEEDS. WE CAN SUPPLY SPECIAL SIZES, SHAPES, HOLES, OR CUTOUTS.
- NEMA 3R JUNCTION AND PULL BOXES ARE CONSTRUCTED IN ACCORDANCE WITH UL BULLETIN 50 AND NEMA SPECIFICATIONS.

DWG. TITLE: **NEMA 3R**
 Junction / Pull Box w. Screw Cover

DWG. NO.: **PI0004**

MATERIAL: ASTM A924 Galvanized
 ASTM A653 Galvanealed

FINISH: Galvanized - None
 Galvanealed - Painted

NOTICE:
 THIS INFORMATION IS THE PROPERTY OF N.J. SULLIVAN CO., ANY REPRODUCTION, PUBLICATION OR DISTRIBUTION TO A THIRD PARTY IS STRICTLY FORBIDDEN UNLESS WRITTEN PERMISSIONS ARE GIVEN BY AN AUTHORIZED AGENT OF:
 N.J. SULLIVAN CO., INC.

DFTG.:	DATE: 3/21/01
CHKR.:	DATE:
REV.:	DATE:
REV.:	DATE:
REV.:	DATE:

N.J. SULLIVAN co.
 INCORPORATED
 P.O. BOX 438, STERLING, VIRGINIA 20167
METAL FABRICATION
 Phone: (703)-471-0544 Fax: (703)-471-0275
www.njsullivan.com