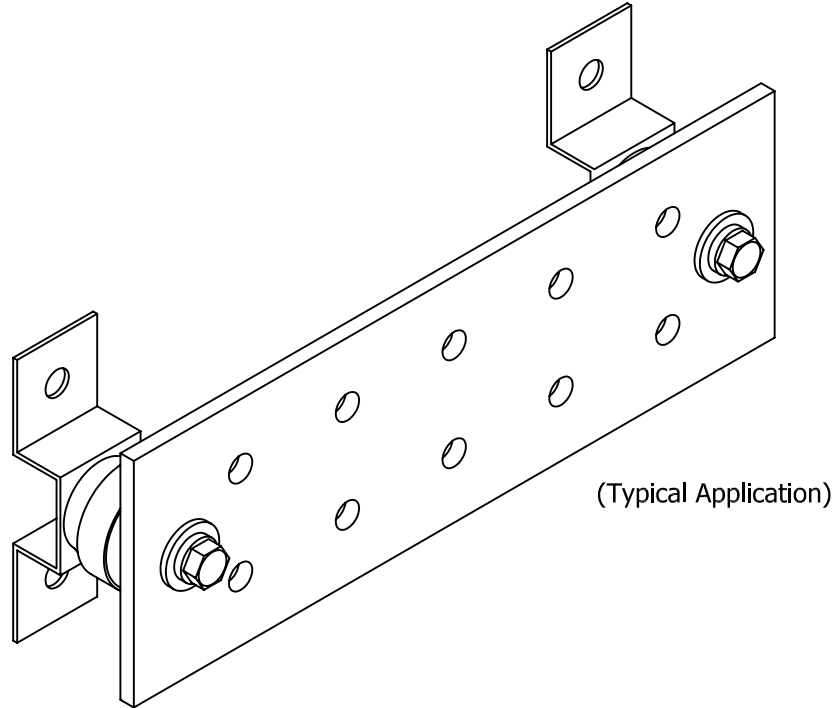


Technical Specification



Copper Ground Bar

- Copper ground bars are made from silver plated C110 electrolytic tough pitch copper, conforming to ASTM B133 and B187. Electrical conductivity is 101% IACS.
- Ground bar is available in 2", 4", & 6" widths, up to 12' long.
- For standard ground bar configurations , see drawing #10036.
- For insulators and mounting brackets, see drawing #10037.
- Total custom capability allows us meet a wide range of customer needs. We can supply special sizes, shapes, holes, or cutouts.

DWG. TITLE:

Copper Ground Bar

DWG. NO.:

P10034

MATERIAL:

As Specified

FINISH:

None

NOTICE:

THIS INFORMATION IS THE PROPERTY OF N.J. SULLIVAN CO., ANY REPRODUCTION, PUBLICATION OR DISTRIBUTION TO A THIRD PARTY IS STRICTLY FORBIDDEN UNLESS WRITTEN PERMISSIONS ARE GIVEN BY AN AUTHORIZED AGENT OF:
N.J. SULLIVAN CO., INC.

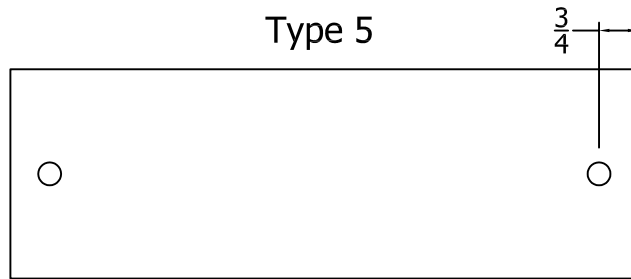
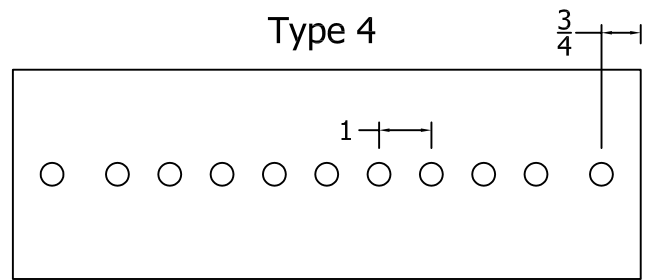
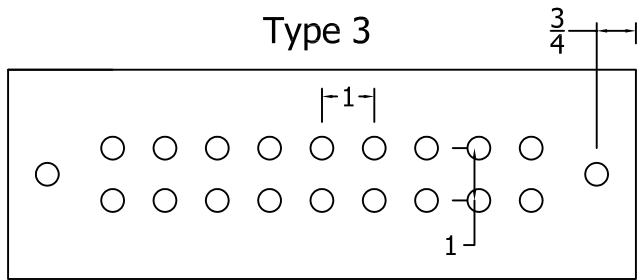
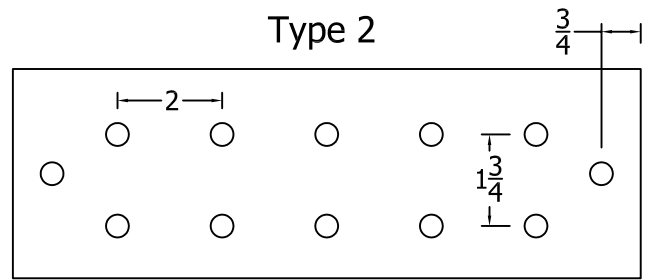
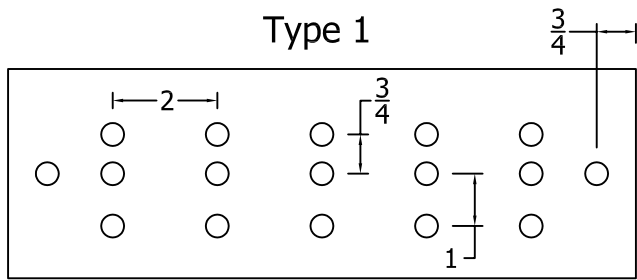
| | |
|--------|---------------|
| DFTG.: | DATE: 2/11/02 |
| CHKR.: | DATE: |
| REV.: | DATE: |
| REV.: | DATE: |
| REV.: | DATE: |

N.J.
SULLIVAN Co.

INCORPORATED
P.O. BOX 438, STERLING, VIRGINIA 20167
METAL FABRICATION

Phone: (703)-464-5944 Fax: (703)-464-5992
www.njsullivan.com

Ground Bar Hole Configurations



- All holes are 7/16" unless otherwise stated. Tapped holes available upon request.
- Total custom capability allows us meet a wide range of customer needs. We can supply special sizes, shapes, holes, or cutouts.

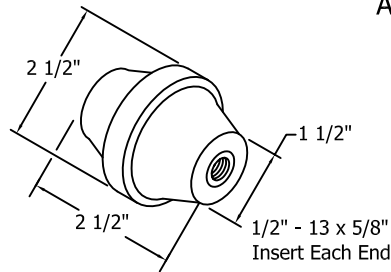
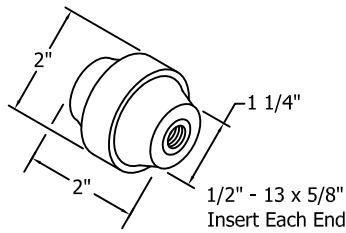
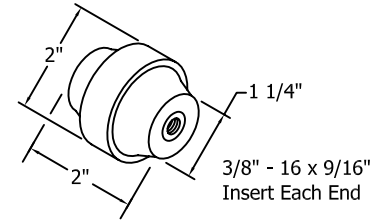
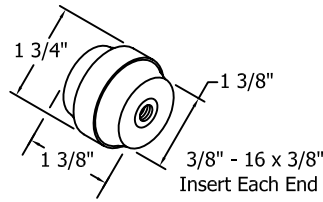
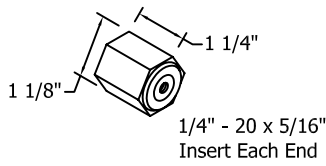
| | |
|-------------|---|
| DWG. TITLE: | Copper Ground Bar Hole Configurations |
| DWG. NO.: | P10036 |
| MATERIAL: | C110 Electrolytic Tough Pitch Copper ASTM B133 & B187, 101% IACS |
| FINISH: | None |

| | |
|---|---------------|
| NOTICE: THIS INFORMATION IS THE PROPERTY OF N.J. SULLIVAN CO., ANY REPRODUCTION, PUBLICATION OR DISTRIBUTION TO A THIRD PARTY IS STRICTLY FORBIDDEN UNLESS WRITTEN PERMISSIONS ARE GIVEN BY AN AUTHORIZED AGENT OF: N.J. SULLIVAN CO., INC. | |
| DFTG.: | DATE: 2/11/02 |
| CHKR.: | DATE: |
| REV.: | DATE: |
| REV.: | DATE: |
| REV.: | DATE: |

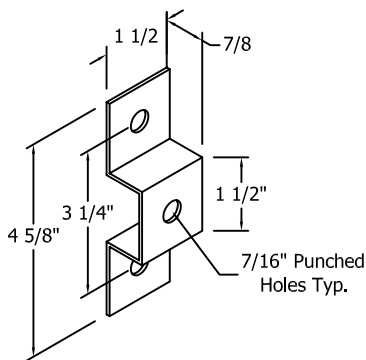


SULLIVAN Co.
INCORPORATED
P.O. BOX 438, STERLING, VIRGINIA 20167
METAL FABRICATION
Phone: (703)-464-5944 Fax: (703)-464-5992
www.njsullivan.com

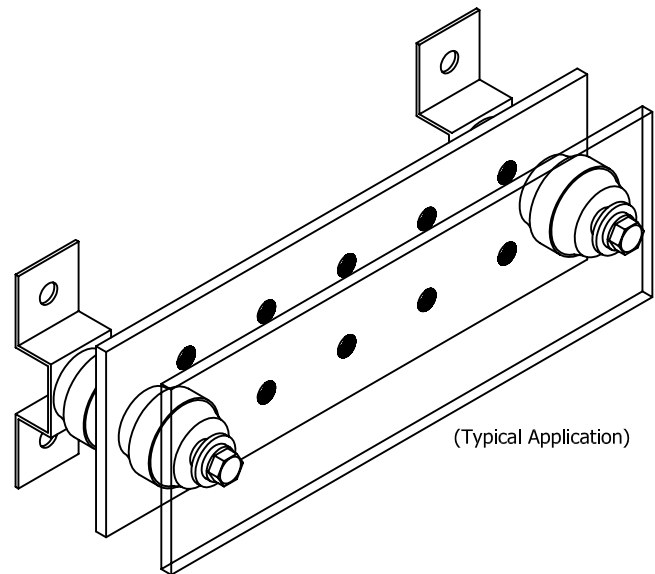
Ground Bar Mounting Hardware And Accessories



All insulators made from UL recognized flame resistant fiberglass reinforced polyester compound.



Standard mounting bracket.
Custom brackets available upon request.



(Typical Application)

Plexiglass Covers Available

DWG. TITLE: Ground Bar Mounting Hardware And Accessories

DWG. NO.: P10037

MATERIAL: -----

FINISH: -----

NOTICE:
THIS INFORMATION IS THE PROPERTY OF N.J. SULLIVAN CO.. ANY REPRODUCTION, PUBLICATION OR DISTRIBUTION TO A THIRD PARTY IS STRICTLY FORBIDDEN UNLESS WRITTEN PERMISSIONS ARE GIVEN BY AN AUTHORIZED AGENT OF:
N.J. SULLIVAN CO., INC.

| | |
|--------|---------------|
| DFTG.: | DATE: 3/18/02 |
| CHKR.: | DATE: |
| REV.: | DATE: |
| REV.: | DATE: |
| REV.: | DATE: |

N.J.
SULLIVAN Co.

INCORPORATED
P.O. BOX 438, STERLING, VIRGINIA 20167
METAL FABRICATION
Phone: (703)-464-5944 Fax: (703)-464-5992
www.njsullivan.com